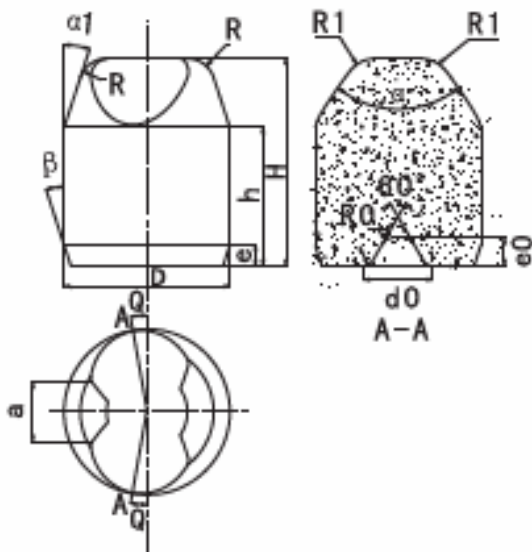


## Eccentric Wedge Button Bit



---

**Shanghai Trisun Parts Manufacture Co.,Ltd.**

**Head office in Shanghai:**

Room 05-06, 16th Floor, Hongjia Building, No.388 Fushan Rd. (Near Xiangcheng Rd.), Pudong, Shanghai, China.

**Post Code:** 200122

**Tel:** +86-21-58355541,+86-21-58353145,+86-21-58353343

**Fax:** +86-21-58353141

**E-mail:** [trisunseal@yahoo.com.cn](mailto:trisunseal@yahoo.com.cn)

Dimension (mm) Type	D	H	R	R <sub>0</sub>	h	α	α	β	a	Q	e	d <sub>0</sub>	R <sub>0</sub>	e <sub>0</sub>	Material
CB1215	12.0	15.0	2.0	2.5	10.0	76°	18°	18°	3.0	10°	1.5	5	1.0	2.0	YG13C
CB1217	12.0	17.0	2.0	2.5	11.0	67°	18°	18°	3.0	10°	1.5	5	1.0	2.0	YG11C
CB1316	13.0	16.5	1.8	2.5	10.5	70°	20°	18°	3.5	10°	1.5	5	1.0	2.0	YG13C
CB1418	14.0	18.0	2.5	3.0	12.0	75°	20°	18°	3.5	10°	1.5	5	1.0	2.0	YG9C YG11C
CB1419	14.0	19.0	2.0	3.0	12.0	67°	20°	18°	3.5	10°	1.5	5	1.0	2.0	YG13C
CB1520	15.0	20.0	2.5	3.0	12.5	67°	18°	18°	3.5	10°	1.8	6	1.2	3.0	YG13C
CB1621	16.0	21.0	2.5	3.0	13.5	70°	20°	18°	4.0	10°	1.8	6	1.2	3.0	YG13C YG11C
CB1924	19.0	24.0	3.5	3.0	15.0	70°	20°	18°	4.5	10°	2.0	7	1.5	4.0	YG13C
CB2230	22.0	30.0	3.5	3.0	17.0	61.5°	18°	18°	4.5	10°	2.0	7	1.5	4.0	YG13C

Eccentric wedge button bit can be used in jewelry process, petroleum, highway construction, mineral exploration, chemical, electric power, mechanical, metallurgy, shipping and automobile industries.

**Shanghai Trisun Parts Manufacture Co.,Ltd.**

**Head office in Shanghai:**

Room 05-06, 16th Floor, Hongjia Building, No.388 Fushan Rd. (Near Xiangcheng Rd.), Pudong, Shanghai, China.

**Post Code:** 200122

**Tel:** +86-21-58355541,+86-21-58353145,+86-21-58353343

**Fax:** +86-21-58353141

**E-mail:** [trisunseal@yahoo.com.cn](mailto:trisunseal@yahoo.com.cn)