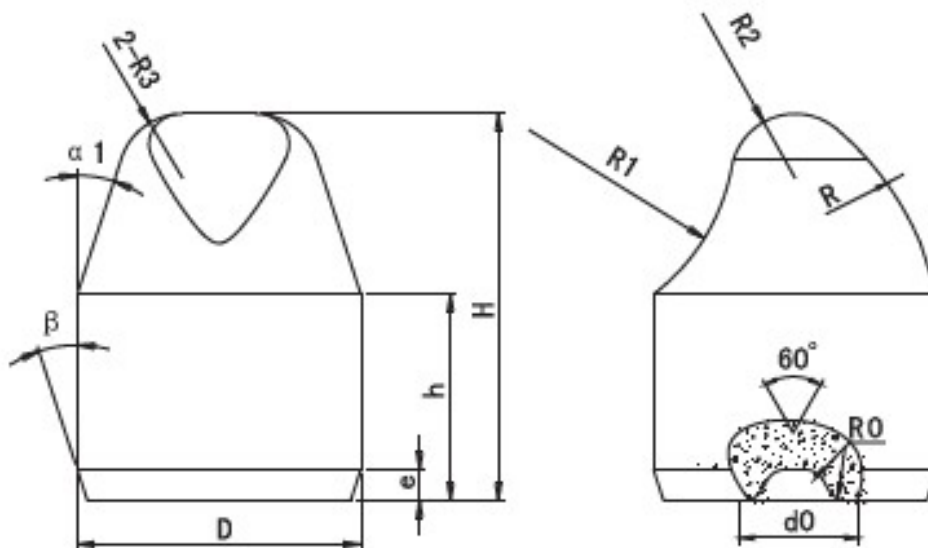


Spoon Button Bit



Shanghai Trisun Parts Manufacture Co.,Ltd.

Head office in Shanghai:

Room 05-06, 16th Floor, Hongjia Building, No.388 Fushan Rd. (Near Xiangcheng Rd.), Pudong, Shanghai, China.

Post Code: 200122

Tel: +86-21-58355541,+86-21-58353145,+86-21-58353343

Fax: +86-21-58353141

E-mail: trisunseal@yahoo.com.cn

Type	Dimension (mm)														
	D	H	R	R ₁	R ₂	R ₃	h	α ₀	β	e	d ₀	R ₀	e ₀	Material	
CS1115	11.0	15.0	12.0	8.0	2.5	2.5	8.0	1°8'	1°8'	1.2	4.0	0.8	1.2	YG15 C	
CS1217	12.0	17.0	20.0	12.0	2.0	2.5	10.0	1°8'	1°8'	1.5	5.0	1.0	2.0	YG15 C	
CS1420	14.0	20.0	13.0	5.0	4.0	2.5	12.0	1°8'	1°8'	1.5	5.0	1.0	2.0	YG15 C	
CS1421	14.0	21.0	20.0	12.0	2.5	2.5	12.0	1°8'	1°8'	1.5	5.0	1.0	3.0	YG15 C	
CS1422	14.0	22.0	18.0	9.0	3.0	2.5	12.0	1°8'	1°8'	1.5	5.0	1.0	3.0	YG15 C	
CS1519	15.0	19.0	18.0	9.0	2.3	3.0	10.0	1°8'	1°8'	1.8	6.0	1.2	3.0	YG15 C	
CS1520	15.0	20.0	23.0	15.0	2.2	2.5	10.8	1°5'	1°8'	1.8	6.0	1.2	3.0	YG15 C	
CS1623	16.0	23.0	23.0	15.0	2.5	2.5	12.0	1°5'	1°8'	1.8	6.0	1.2	3.0	YG15 C	
CS1626	16.0	26.5	28.0	20.0	2.5	2.5	14.0	1°3'	1°8'	1.8	6.0	1.2	3.0	YG15 C	
CS1724	17.0	24.0	25.0	15.0	3.0	3.0	13.0	2°0'	1°8'	1.8	6.0	1.2	3.0	YG15 C	
CS1727	17.0	27.0	28.0	20.0	2.5	2.5	14.0	1°8'	1°8'	1.8	6.0	1.2	3.0	YG15 C	
CS1929	19.0	29.0	24.0	17.0	3.0	3.0	17.0	1°5'	1°8'	2.0	7.0	1.5	4.0	YG13 C	
CS1930	19.0	30.0	25.0	16.0	3.0	3.0	17.0	1°5'	1°8'	2.0	7.0	1.5	4.0	YG13 C YG15 C	
CS1923	19.0	33.0	27.0	18.0	3.0	3.0	17.0	1°5'	1°8'	2.0	7.0	1.5	4.0	YG15 C	
CS2233	22.0	33.0	25.0	19.0	3.0	3.0	18.0	1°5'	1°8'	2.0	7.0	1.5	4.0	YG15 C	

Shanghai Trisun Parts Manufacture Co.,Ltd.

Head office in Shanghai:

Room 05-06, 16th Floor, Hongjia Building, No.388 Fushan Rd. (Near Xiangcheng Rd.), Pudong, Shanghai, China.

Post Code: 200122

Tel: +86-21-58355541,+86-21-58353145,+86-21-58353343

Fax: +86-21-58353141

E-mail: trisunseal@yahoo.com.cn



CS2235	22. 0	35. 0	26. 0	20. 0	3. 0	3. 0	19. 0	1 3°	1 8°	2. 0	7. 0	1. 5	4. 0	YG15 C
CS2236	22. 0	36. 0	27. 0	20. 0	3. 0	3. 0	19. 0	1 3°	1 8°	2. 0	7. 0	1. 5	4. 0	YG15 C

Shanghai Trisun Parts Manufacture Co.,Ltd.

Head office in Shanghai:

Room 05-06, 16th Floor, Hongjia Building, No.388 Fushan Rd. (Near Xiangcheng Rd.), Pudong, Shanghai, China.

Post Code: 200122

Tel: +86-21-58355541,+86-21-58353145,+86-21-58353343

Fax: +86-21-58353141

E-mail: trisunseal@yahoo.com.cn