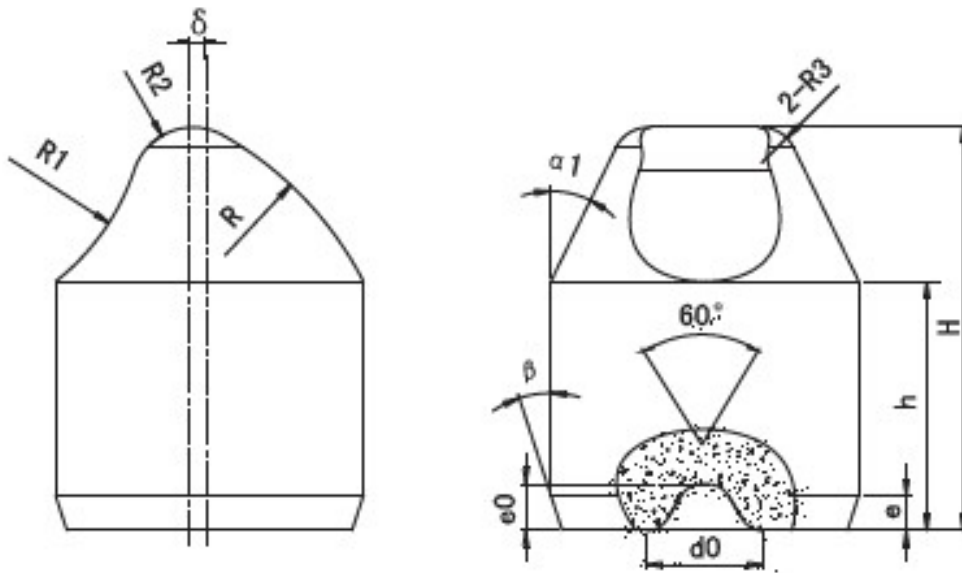


## Eccentric Spoon Button Bit



We produce Button bits in tungsten carbide with various types. Carbide buttons are widely used in oil field drilling, because of its high strength and good wear resistance. Based on the different functions, the carbide buttons has been divided into many styles, and they often applied in roller cone bits, geotechnical drilling tools, DTH bits and

---

**Shanghai Trisun Parts Manufacture Co.,Ltd.**

**Head office in Shanghai:**

Room 05-06, 16th Floor, Hongjia Building, No.388 Fushan Rd. (Near Xiangcheng Rd.), Pudong, Shanghai, China.

**Post Code:** 200122

**Tel:** +86-21-58355541,+86-21-58353145,+86-21-58353343

**Fax:** +86-21-58353141

**E-mail:** [trisunseal@yahoo.com.cn](mailto:trisunseal@yahoo.com.cn)



drifter bits. Our quality is stable and good, if you need more information, please contact with us!

Dimension ( mm ) Type	D	H	R	R <sub>1</sub>	R <sub>2</sub>	R <sub>3</sub>	$\bar{\delta}$	h	$\alpha_0$	$\beta$	e	d <sub>0</sub>	R <sub>0</sub>	e <sub>0</sub>	Material
CS1317-1	13.0	17.0	15.0	10.0	2.6	1.5	0.7	10.5	26°	18°	1.5	5.0	1.0	2.0	YG13C
CS1421-1	14.0	21.5	20.0	20.0	2.4	1.5	1.1	11.5	20°	18°	1.8	5.0	1.0	3.0	YG15C
CS1623-1	16.0	23.0	25.0	20.0	2.4	1.2	1.1	12.0	20°	18°	1.8	6.0	1.2	3.0	YG15C
CS1623A-1	16.0	23.0	25.0	16.0	2.2	2.5	1.2	12.0	18°	18°	1.8	6.0	1.2	3.0	YG15C

**Shanghai Trisun Parts Manufacture Co.,Ltd.**

**Head office in Shanghai:**

Room 05-06, 16th Floor, Hongjia Building, No.388 Fushan Rd. (Near Xiangcheng Rd.), Pudong, Shanghai, China.

**Post Code:** 200122

**Tel:** +86-21-58355541,+86-21-58353145,+86-21-58353343

**Fax:** +86-21-58353141

**E-mail:** [trisunseal@yahoo.com.cn](mailto:trisunseal@yahoo.com.cn)