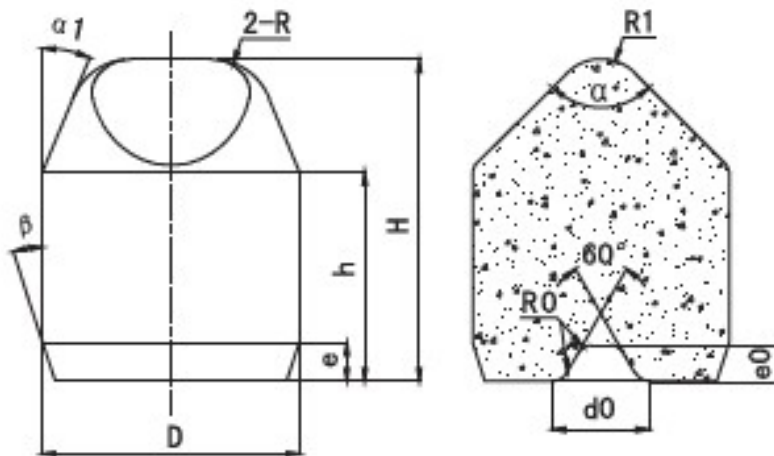


**Wedge Button Bit**



Type	Dimension (mm)	D	H	R	R <sub>1</sub>	h	α <sub>1</sub>	α	β	e	d <sub>0</sub>	R <sub>0</sub>	e <sub>0</sub>	Material

**Shanghai Trisun Parts Manufacture Co.,Ltd.**

**Head office in Shanghai:**

Room 05-06, 16th Floor, Hongjia Building, No.388 Fushan Rd. (Near Xiangcheng Rd.), Pudong, Shanghai, China.

**Post Code:** 200122

**Tel:** +86-21-58355541,+86-21-58353145,+86-21-58353343

**Fax:** +86-21-58353141

**E-mail:** [trisunseal@yahoo.com.cn](mailto:trisunseal@yahoo.com.cn)

CE0810	8.0	10.0	2.0	1.5	6.5	90°	22.5°	18°	1.2	3.0	0.5	1.1	YG11 C
CE0811	8.0	11.0	1.5	1.5	7.5	90°	15°	18°	1.2	3.0	0.5	1.1	YG13 C
CE1011	10.0	11.0	2.5	2.0	7.0	93°	22.5°	18°	1.2	4.0	0.8	1.2	YG11 C YG13 C
CE1013	10.0	13.0	2.5	3.0	8.0	70°	22.5°	18°	1.2	4.0	0.8	1.2	YG15 C
CE1115	11.0	15.0	2.5	2.75	8.0	60°	20°	18°	1.2	4.0	0.8	1.2	YG15 C
CE1217	12.0	17.0	3.0	3.0	10.5	70°	22.5°	18°	1.5	5.0	1.0	2.0	YG15 C YG13 C
CE1418	14.0	18.0	3.5	2.5	12.0	90°	22.5°	18°	1.5	5.0	1.0	2.0	YG11 C
CE1419	14.0	19.0	4.5	3.5	11.0	65°	20°	18°	1.5	5.0	1.0	2.0	YG13 C
CE1421	14.0	21.0	2.5	2.5	11.0	60°	18°	18°	1.5	5.0	1.0	3.0	YG13 C
CE1520	15.0	20.0	3.0	3.0	12.0	75°	22.5°	18°	1.8	6.0	1.2	3.0	YG13 C
CE1621	16.0	21.0	3.0	3.0	12.0	72°	20°	18°	1.8	6.0	1.2	3.0	YG13 C
CE1623	16.0	23.0	2.5	3.0	12.0	60°	15°	18°	1.8	6.0	1.2	3.0	YG13 C
CE1623A	16.0	23.0	3.5	3.0	12.0	60°	18°	18°	1.8	6.0	1.2	3.0	
CE1721	17.0	21.0	3.5	3.5	13.0	82°	22.5°	18°	1.8	6.0	1.2	3.0	YG13 C
CE1724	17.0	24.0	3.5	3.5	13.0	62°	22.5°	18°	1.8	6.0	1.2	3.0	YG15 C
CE1929	19.0	29.0	3.0	3.5	17.0	65°	15°	18°	2.0	7.0	1.5	4.0	YG15 C
CE2235	22.0	35.0	3.0	3.2	19.0	60°	13°	18°	2.0	7.0	1.5	4.0	YG15 C

**Shanghai Trisun Parts Manufacture Co.,Ltd.**

**Head office in Shanghai:**

Room 05-06, 16th Floor, Hongjia Building, No.388 Fushan Rd. (Near Xiangcheng Rd.), Pudong, Shanghai, China.

**Post Code:** 200122

**Tel:** +86-21-58355541,+86-21-58353145,+86-21-58353343

**Fax:** +86-21-58353141

**E-mail:** [trisunseal@yahoo.com.cn](mailto:trisunseal@yahoo.com.cn)



---

**Shanghai Trisun Parts Manufacture Co.,Ltd.**

**Head office in Shanghai:**

Room 05-06, 16th Floor, Hongjia Building, No.388 Fushan Rd. (Near Xiangcheng Rd.), Pudong, Shanghai, China.

**Post Code:** 200122

**Tel:** +86-21-58355541,+86-21-58353145,+86-21-58353343

**Fax:** +86-21-58353141

**E-mail:** [trisunseal@yahoo.com.cn](mailto:trisunseal@yahoo.com.cn)