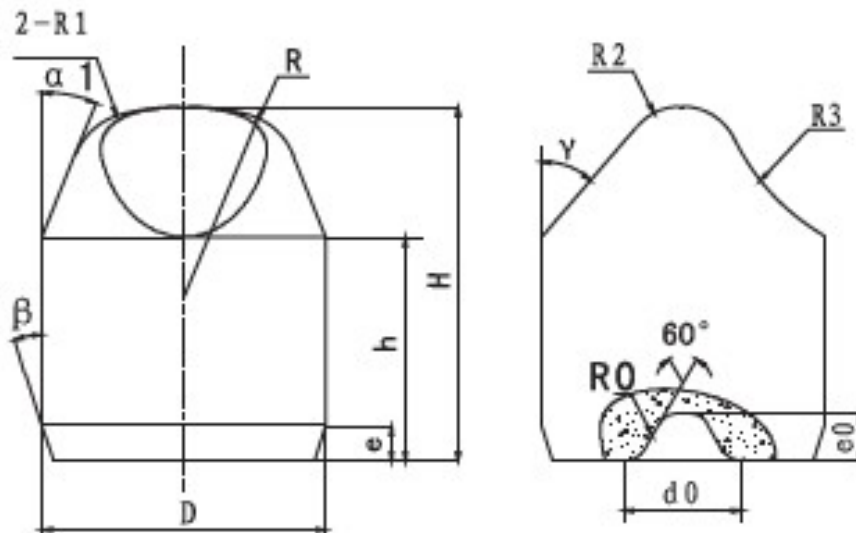


Concave Wedge Button Bit



Shanghai Trisun Parts Manufacture Co.,Ltd.

Head office in Shanghai:

Room 05-06, 16th Floor, Hongjia Building, No.388 Fushan Rd. (Near Xiangcheng Rd.), Pudong, Shanghai, China.

Post Code: 200122

Tel: +86-21-58355541,+86-21-58353145,+86-21-58353343

Fax: +86-21-58353141

E-mail: [trisunseal@yahoo.com.cn](mailto:trisunseal@yahoo.com.cn)

Dimension n (mm) Type	D	H	R	R <sub>1</sub>	R <sub>2</sub>	R <sub>3</sub>	h	α <sub>1</sub>	γ	β	e	d <sub>0</sub>	R <sub>0</sub>	e <sub>0</sub>	Material
CE1215-1	12.0	15.0	11.0	3.0	2.5	10.0	9.5	22°	41°	18°	1.5	5.0	1.0	2.0	K520
CE1416-1	14.0	16.0	16.0	3.0	2.7	5.0	10.5	22°	47°	18°	1.5	5.0	1.0	2.0	K520

**Shanghai Trisun Parts Manufacture Co.,Ltd.**

**Head office in Shanghai:**

Room 05-06, 16th Floor, Hongjia Building, No.388 Fushan Rd. (Near Xiangcheng Rd.), Pudong, Shanghai, China.

**Post Code:** 200122

**Tel:** +86-21-58355541,+86-21-58353145,+86-21-58353343

**Fax:** +86-21-58353141

**E-mail:** [trisunseal@yahoo.com.cn](mailto:trisunseal@yahoo.com.cn)