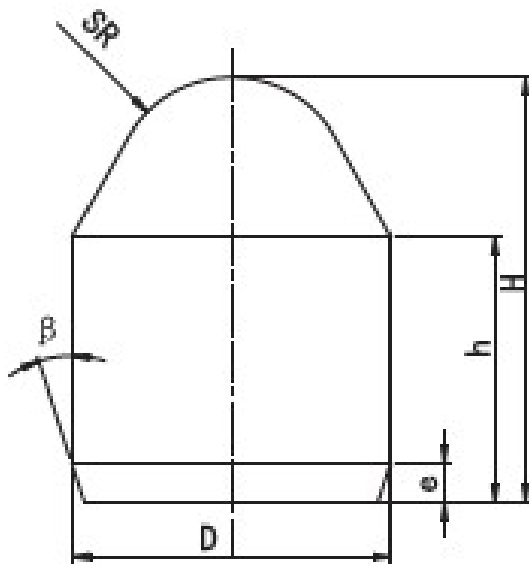
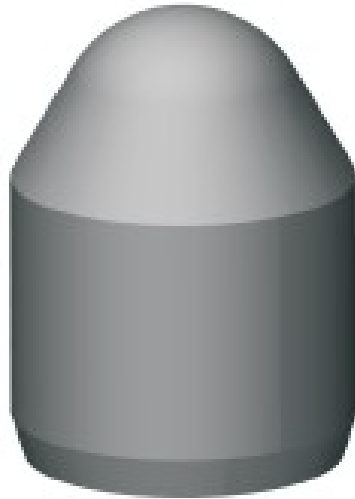


**Conical Button Bit**



---

**Shanghai Trisun Parts Manufacture Co.,Ltd.**

**Head office in Shanghai:**

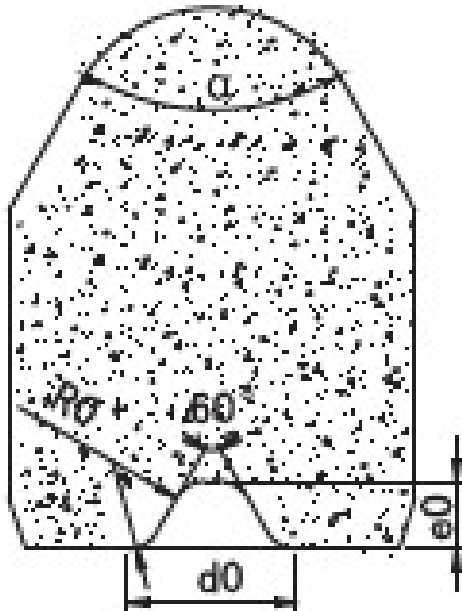
Room 05-06, 16th Floor, Hongjia Building, No.388 Fushan Rd. (Near Xiangcheng Rd.), Pudong, Shanghai, China.

**Post Code:** 200122

**Tel:** +86-21-58355541,+86-21-58353145,+86-21-58353343

**Fax:** +86-21-58353141

**E-mail:** [trisunseal@yahoo.com.cn](mailto:trisunseal@yahoo.com.cn)



Dimension (mm) Type	D	H	SR	h	α	β	e	d <sub>0</sub>	R <sub>0</sub>	e <sub>0</sub>	Material
CZ1216	12.0	16.0	4.5	10.0	60°	18°	1.5	5.0	1.0	2.0	YG13C
CZ1217	12.0	17.0	3.4	10.0	60°	18°	1.5	5.0	1.0	2.0	YG13C
CZ1418	14.0	18.5	3.6	10.0	60°	18°	1.5	5.0	1.0	2.0	YG15C
CZ1419	14.0	19.0	4.8	11.5	60°	18°	1.5	5.0	1.0	2.0	YG13C
CZ1621	16.0	21.5	7.5	14.3	45°	18°	1.8	6.0	1.0	3.0	YG8

**Shanghai Trisun Parts Manufacture Co.,Ltd.**

**Head office in Shanghai:**

Room 05-06, 16th Floor, Hongjia Building, No.388 Fushan Rd. (Near Xiangcheng Rd.), Pudong, Shanghai, China.

**Post Code:** 200122

**Tel:** +86-21-58355541,+86-21-58353145,+86-21-58353343

**Fax:** +86-21-58353141

**E-mail:** [trisunseal@yahoo.com.cn](mailto:trisunseal@yahoo.com.cn)

CZ1622	16.0	22.0	3.4	11.5	60°	18°	1.8	6.0	1.0	3.0	YG15C
CZ1625	16.0	25.0	4.0	15.5	60°	18°	1.8	6.0	1.0	3.0	YG11C
CZ1625A	16.0	25.5	6.5	16.5	45°	18°	1.8	6.0	1.0	3.0	YG11C
CZ1925	19.0	25.0	7.5	13.7	42°	18°	2.0	7.0	1.2	4.0	YG11C
CZ1926	19.0	26.0	7.5	14.7	42°	18°	2.0	7.0	1.2	4.0	YG11C
CZ1927	19.0	27.0	6.5	14.1	43°	18°	2.0	7.0	1.2	4.0	YG11C
CZ1931	19.0	31.0	4.0	16.0	50°	18°	2.0	7.0	1.2	4.0	YG13C

---

**Shanghai Trisun Parts Manufacture Co.,Ltd.**

**Head office in Shanghai:**

Room 05-06, 16th Floor, Hongjia Building, No.388 Fushan Rd. (Near Xiangcheng Rd.), Pudong, Shanghai, China.

**Post Code:** 200122

**Tel:** +86-21-58355541,+86-21-58353145,+86-21-58353343

**Fax:** +86-21-58353141

**E-mail:** [trisunseal@yahoo.com.cn](mailto:trisunseal@yahoo.com.cn)