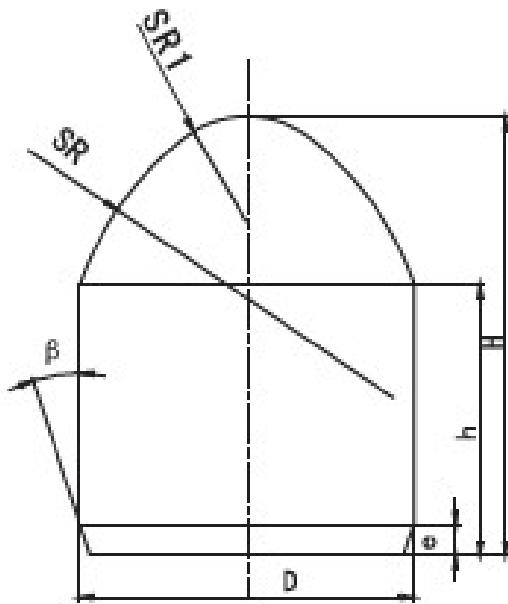
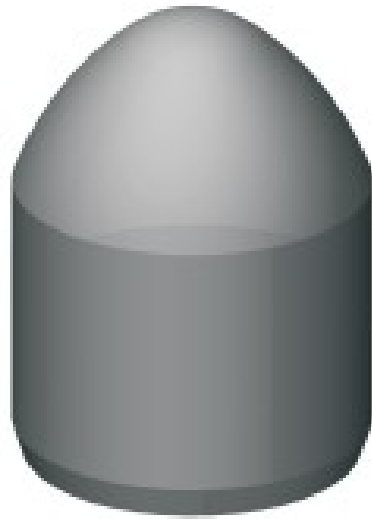


Spherical Conical Button Bit



Shanghai Trisun Parts Manufacture Co.,Ltd.

Head office in Shanghai:

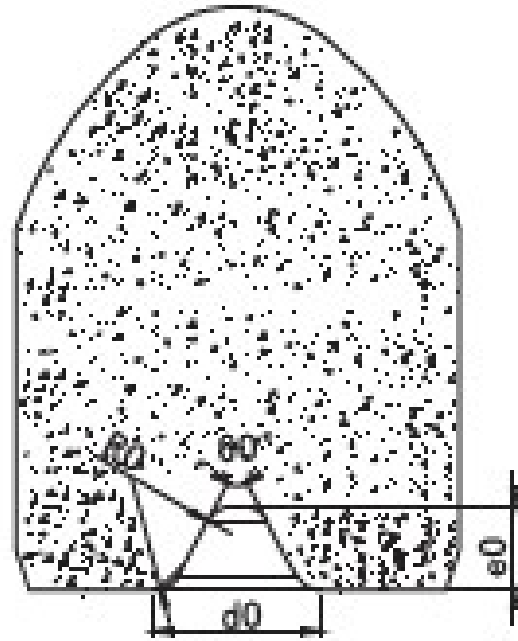
Room 05-06, 16th Floor, Hongjia Building, No.388 Fushan Rd. (Near Xiangcheng Rd.), Pudong, Shanghai, China.

Post Code: 200122

Tel: +86-21-58355541,+86-21-58353145,+86-21-58353343

Fax: +86-21-58353141

E-mail: trisunseal@yahoo.com.cn



Dimension Type (mm)	D	H	SR	SR ₁	h	β	e	d ₀	R ₀	e ₀	Material
CZ1621-1	16.0	21.0	16.0	5.0	13.0	18°	1.5	6.0	1.0	3.0	YG11C YG13C
CZ1622-1	16.0	22.0	16.0	5.0	12.0	18°	1.5	6.0	1.0	3.0	YG15C
CZ1825-1	18.0	25.0	28.0	6.5	15.0	18°	1.8	6.0	1.0	3.0	YG13C

Shanghai Trisun Parts Manufacture Co.,Ltd.

Head office in Shanghai:

Room 05-06, 16th Floor, Hongjia Building, No.388 Fushan Rd. (Near Xiangcheng Rd.), Pudong, Shanghai, China.

Post Code: 200122

Tel: +86-21-58355541,+86-21-58353145,+86-21-58353343

Fax: +86-21-58353141

E-mail: trisunseal@yahoo.com.cn