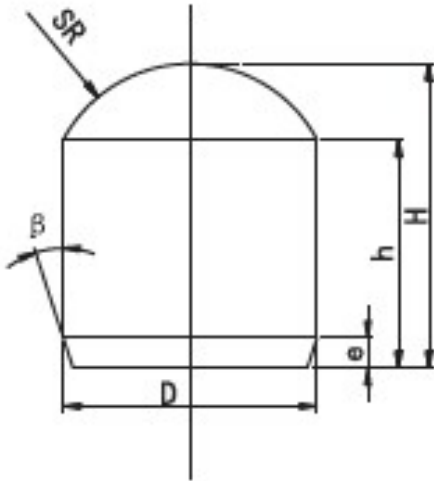


Ball Button Bit



Shanghai Trisun Parts Manufacture Co.,Ltd.

Head office in Shanghai:

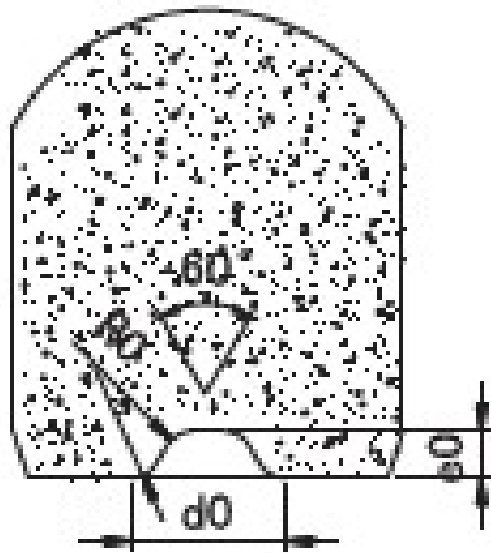
Room 05-06, 16th Floor, Hongjia Building, No.388 Fushan Rd. (Near Xiangcheng Rd.), Pudong, Shanghai, China.

Post Code: 200122

Tel: +86-21-58355541,+86-21-58353145,+86-21-58353343

Fax: +86-21-58353141

E-mail: trisunseal@yahoo.com.cn



Dimension Type (mm)	D	H	SR	h	β	e	d ₀	R ₀	e ₀	Material
CQ1012	10.0	12.0	5.8	9.0	18°	1.2	4.0	0.8	1.2	YG11C
CQ1212	12.0	12.5	6.2	8.0	18°	1.5	5.0	1.0	2.0	
CQ1214	12.0	14.0	6.2	9.5	18°	1.5	5.0	1.0	2.0	YG11C
CQ1214A	12.0	14.0	6.7	10.1	18°	1.5	5.0	1.0	2.0	

Shanghai Trisun Parts Manufacture Co.,Ltd.

Head office in Shanghai:

Room 05-06, 16th Floor, Hongjia Building, No.388 Fushan Rd. (Near Xiangcheng Rd.), Pudong, Shanghai, China.

Post Code: 200122

Tel: +86-21-58355541,+86-21-58353145,+86-21-58353343

Fax: +86-21-58353141

E-mail: trisunseal@yahoo.com.cn

CQ1313	13.0	13.5	6.6	8.0	18°	1.5	5.0	1.0	2.0	YG11C
CQ1315	13.0	15.5	6.6	10.0	18°	1.5	5.0	1.0	2.0	YG9C YG11C
CQ1415	14.0	15.0	7.4	10.0	18°	1.5	5.0	1.0	2.0	YG9C
CQ1416	14.0	16.5	7.6	11.9	18°	1.5	5.0	1.0	2.0	YG9C YG11C
CQ1622	16.0	22.0	8.0	14.0	18°	1.8	6.0	1.2	3.0	YG11C
CQ1623	16.0	23.0	8.3	17.0	18°	1.8	6.0	1.2	3.0	YG11C
CQ1624	16.0	24.0	8.5	18.4	18°	1.8	6.0	1.2	3.0	YG11C
CQ1825	18.0	25.0	9.0	16.0	18°	1.8	6.0	1.2	3.0	YG11C

Shanghai Trisun Parts Manufacture Co.,Ltd.

Head office in Shanghai:

Room 05-06, 16th Floor, Hongjia Building, No.388 Fushan Rd. (Near Xiangcheng Rd.), Pudong, Shanghai, China.

Post Code: 200122

Tel: +86-21-58355541,+86-21-58353145,+86-21-58353343

Fax: +86-21-58353141

E-mail: trisunseal@yahoo.com.cn