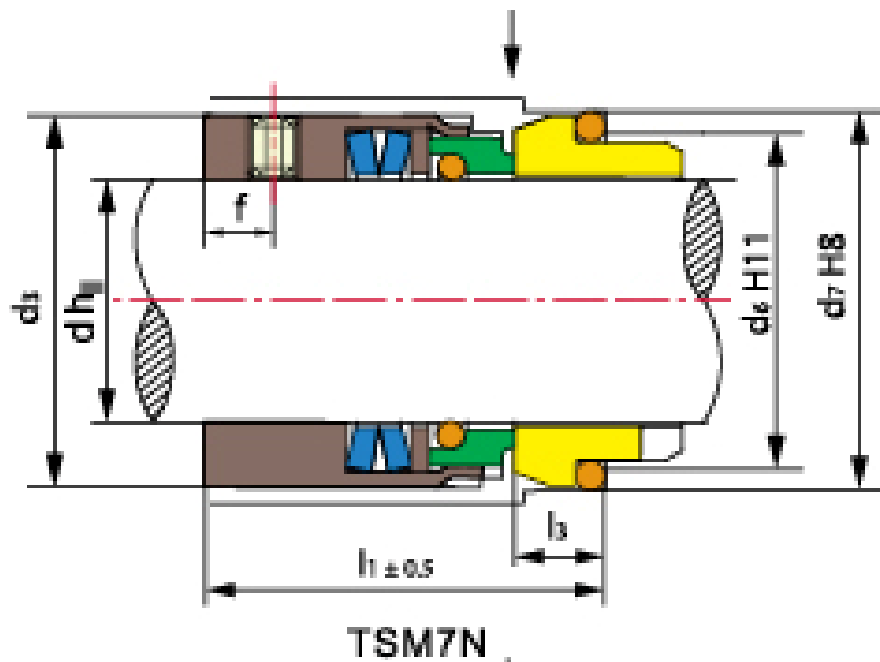


TS M7N /TS M74 14mm-100mm Component Seal



Features:

Operating Limits:

Rotary Ring (SiC/TC/Carbon)

Shanghai Trisun Parts Manufacture Co.,Ltd.

Head office in Shanghai:

Room 05-06, 16th Floor, Hongjia Building, No.388 Fushan Rd. (Near Xiangcheng Rd.), Pudong, Shanghai, China.

Post Code: 200122

Tel: +86-21-58355541,+86-21-58353145,+86-21-58353343

Fax: +86-21-58353141

E-mail: trisunseal@yahoo.com.cn



Stationary Ring (Carbon/SiC/TC)
 Secondary Seal (VITON/Encapsulated Ring)
 Metal Parts (SUS304/SUS316)
 Spring (17-7PH/SUS304/SUS316)

Operating Limits:

Pressure: ≤1.6MPa

Speed: ≤20m/s

Temperature: -30℃~+200℃

Parameter:

Seal size					
d(mm)	d ₃	d ₆	d ₇	l ₁	l ₃
14	25	21	25	35	10
16	27	23	27	35	10
18	33	29	33	37.5	11.5
20	35	29	35	37.5	11.5
22	37	31	37	37.5	11.5
24	39	33	39	40	11.5
25	40	34	40	40	11.5
28	43	37	43	42.5	11.5
30	45	39	45	42.5	11.5
32	47	42	48	42.5	11.5
33	48	42	48	42.5	11.5
35	50	44	50	42.5	11.5
38	55	49	56	45	14
40	57	51	58	45	14
43	60	54	61	45	14
45	62	56	63	45	14

Seal size					
d(mm)	d ₃	d ₆	d ₇	l ₁	l ₃
48	65	59	66	45	14
50	67	62	70	47.5	15
53	70	65	73	47.5	15
55	72	67	75	47.5	15
58	79	70	78	52.5	15
60	81	72	80	52.5	15
63	84	75	83	52.5	15

Shanghai Trisun Parts Manufacture Co.,Ltd.

Head office in Shanghai:

Room 05-06, 16th Floor, Hongjia Building, No.388 Fushan Rd. (Near Xiangcheng Rd.), Pudong, Shanghai, China.

Post Code: 200122

Tel: +86-21-58355541,+86-21-58353145,+86-21-58353343

Fax: +86-21-58353141

E-mail: trisunseal@yahoo.com.cn



65	86	77	85	52.5	15
68	89	81	90	52.5	18
70	91	83	92	60	18
75	99	88	97	60	18

Shanghai Trisun Parts Manufacture Co.,Ltd.

Head office in Shanghai:

Room 05-06, 16th Floor, Hongjia Building, No.388 Fushan Rd. (Near Xiangcheng Rd.), Pudong, Shanghai, China.

Post Code: 200122

Tel: +86-21-58355541,+86-21-58353145,+86-21-58353343

Fax: +86-21-58353141

E-mail: trisunseal@yahoo.com.cn