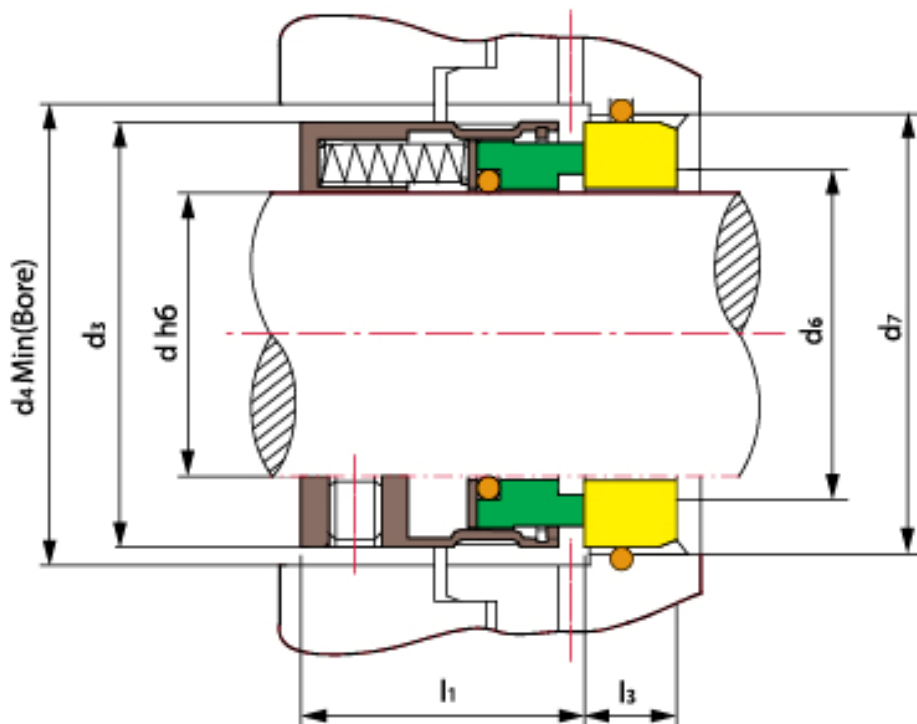


TS 8-1 0.500-6.000



**Shanghai Trisun Parts Manufacture Co.,Ltd.**

**Head office in Shanghai:**

Room 05-06, 16th Floor, Hongjia Building, No.388 Fushan Rd. (Near Xiangcheng Rd.), Pudong, Shanghai, China.

**Post Code:** 200122

**Tel:** +86-21-58355541,+86-21-58353145,+86-21-58353343

**Fax:** +86-21-58353141

**E-mail:** [trisunseal@yahoo.com.cn](mailto:trisunseal@yahoo.com.cn)

**Features:****Operating Limits:**Pressure:  $\leq 1.7\text{MPa}$ Speed:  $\leq 25\text{m/s}$ Temperature:  $-30^{\circ}\text{C}\sim+200^{\circ}\text{C}$ **Stationary Seats:**

1. TS 8-1 equip with "p" type stationary seats
2. A,W and PP type stationary seats are available

1. Rotary Ring(Carbon/SiC/TC)
2. Stationary Ring(99%Ceramic/ SiC /TC)
3. Secondary Seal(NBR/VITON/Encapsulated Ring)
4. Spring & Other Parts(SUS304/SUS316)

Seal size (inches/pulgadas)	d	d3	d4	d6	d7	l1	l3
0.500	12.70	26.70	30.00	14.5	25.60	21.0	7.90
0.625	15.87	30.70	34.00	17.5	31.95	19.0	10.30
0.750	19.05	34.00	37.00	21.0	35.12	22.2	10.30
0.875	22.22	37.20	40.00	24.0	38.30	24.0	10.30
1.000	25.40	40.30	43.00	27.5	41.48	25.0	11.15
1.125	28.57	43.50	46.00	30.5	44.65	27.0	11.15
1.250	31.75	48.30	51.00	33.5	47.83	27.0	11.15
1.375	34.92	51.50	54.00	37.0	51.00	29.0	11.15
1.500	38.10	54.60	58.00	40.0	54.18	29.0	11.15
1.625	41.27	61.00	64.00	43.5	60.53	35.0	12.75
1.750	44.45	64.20	67.00	46.5	63.70	35.0	12.75
1.875	47.62	67.30	70.00	49.5	66.88	35.0	12.75
2.000	50.80	70.50	73.00	53.0	70.05	35.0	12.75

---

**Shanghai Trisun Parts Manufacture Co.,Ltd.****Head office in Shanghai:**

Room 05-06, 16th Floor, Hongjia Building, No.388 Fushan Rd. (Near Xiangcheng Rd.), Pudong, Shanghai, China.

**Post Code:** 200122**Tel:** +86-21-58355541,+86-21-58353145,+86-21-58353343**Fax:** +86-21-58353141**E-mail:** [trisunseal@yahoo.com.cn](mailto:trisunseal@yahoo.com.cn)

2.125	53.97	76.90	80.00	56.0	76.40	43.0	14.33
2.250	57.15	80.00	83.00	59.0	79.58	43.0	14.33
2.375	60.32	83.20	86.00	62.5	82.75	43.0	14.33
2.500	63.50	86.40	89.00	65.5	85.93	43.0	14.33
2.625	66.67	89.60	92.00	68.5	85.93	43.0	15.93
2.750	69.85	92.70	96.00	72.0	89.10	43.0	15.93
2.875	73.02	95.90	99.00	75.0	95.45	43.0	15.93
3.000	76.20	97.50	100.00	78.5	98.63	43.0	15.93
3.125	79.37	100.70	104.00	81.5	101.80	43.0	19.84
3.250	82.55	105.40	108.00	84.5	104.98	43.0	19.84
3.375	85.73	108.60	111.00	88.0	108.15	43.0	19.84
3.500	88.90	111.80	115.00	91.0	111.13	43.0	19.84
3.625	92.08	115.00	118.00	94.0	114.35	43.0	19.84
3.750	95.25	118.10	121.00	97.5	117.68	43.0	19.84
3.875	98.43	121.30	124.00	100.5	120.85	43.0	19.84
4.000	104.60	124.50	127.00	103.5	124.03	43.0	19.84
4.125	104.78	130.20	134.00	107.0	130.38	42.9	19.84
4.250	107.65	133.40	137.00	110.0	133.55	42.9	19.84
4.375	111.13	136.50	140.00	113.5	136.72	42.9	19.84
4.500	114.30	139.70	143.00	116.5	139.90	42.9	19.84
4.625	117.48	142.90	146.00	119.5	143.08	42.9	19.84
4.750	120.65	146.10	146.00	122.5	146.25	42.9	19.84
4.875	123.83	149.20	153.00	126.0	149.43	42.9	19.84
5.000	127.00	152.40	156.00	129.0	152.60	42.9	19.84
5.125	130.18	155.60	159.00	132.0	155.77	42.9	19.84

**Shanghai Trisun Parts Manufacture Co.,Ltd.**

**Head office in Shanghai:**

Room 05-06, 16th Floor, Hongjia Building, No.388 Fushan Rd. (Near Xiangcheng Rd.), Pudong, Shanghai, China.

**Post Code:** 200122

**Tel:** +86-21-58355541,+86-21-58353145,+86-21-58353343

**Fax:** +86-21-58353141

**E-mail:** [trisunseal@yahoo.com.cn](mailto:trisunseal@yahoo.com.cn)

5.250	133.35	165.10	168.00	135.5	158.95	50.8	19.84
5.375	136.53	168.28	171.45	138.5	162.12	50.8	19.84
5.500	139.70	171.50	175.00	141.5	165.30	50.8	19.84
5.625	142.88	174.60	178.00	145.0	168.47	50.8	19.84
5.750	146.05	177.80	181.00	149.0	177.23	50.8	25.40
5.875	149.23	181.00	184.00	152.5	180.41	50.8	25.40
6.000	152.40	184.20	188.00	155.5	183.59	50.8	25.40

---

**Shanghai Trisun Parts Manufacture Co.,Ltd.**

**Head office in Shanghai:**

Room 05-06, 16th Floor, Hongjia Building, No.388 Fushan Rd. (Near Xiangcheng Rd.), Pudong, Shanghai, China.

**Post Code:** 200122

**Tel:** +86-21-58355541,+86-21-58353145,+86-21-58353343

**Fax:** +86-21-58353141

**E-mail:** [trisunseal@yahoo.com.cn](mailto:trisunseal@yahoo.com.cn)