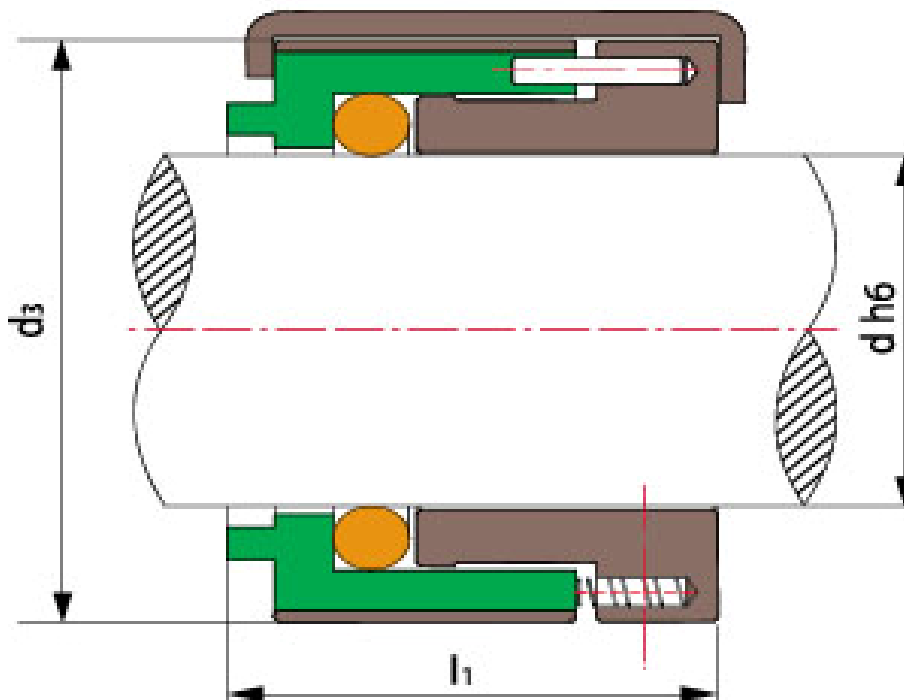


TS PS 11/8"-17/8"(inches) Component Seal



Rotary Ring (Carbon/SiC/TC)
Secondary Seal (VITON/PTFE/Encapsulated Ring)
Spring & Other Parts (SUS304/SUS316)

Shanghai Trisun Parts Manufacture Co.,Ltd.

Head office in Shanghai:

Room 05-06, 16th Floor, Hongjia Building, No.388 Fushan Rd. (Near Xiangcheng Rd.), Pudong, Shanghai, China.

Post Code: 200122

Tel: +86-21-58355541,+86-21-58353145,+86-21-58353343

Fax: +86-21-58353141

E-mail: trisunseal@yahoo.com.cn



Operating Limits

Pressure: $\leq 1.2\text{MPa}$

Speed: $\leq 20\text{m/s}$

Temperature: $-30^{\circ}\text{C}\sim+200^{\circ}\text{C}$

Seal size (inches)	d	d ₃	l ₁
1 1/8"	28.575	48.2	33
1 3/8"	34.925	54.8	33
1 7/8"	47.625	68.6	33

Shanghai Trisun Parts Manufacture Co.,Ltd.

Head office in Shanghai:

Room 05-06, 16th Floor, Hongjia Building, No.388 Fushan Rd. (Near Xiangcheng Rd.), Pudong, Shanghai, China.

Post Code: 200122

Tel: +86-21-58355541,+86-21-58353145,+86-21-58353343

Fax: +86-21-58353141

E-mail: trisunseal@yahoo.com.cn