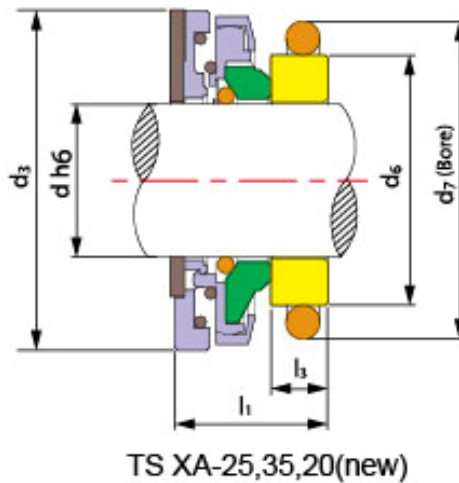
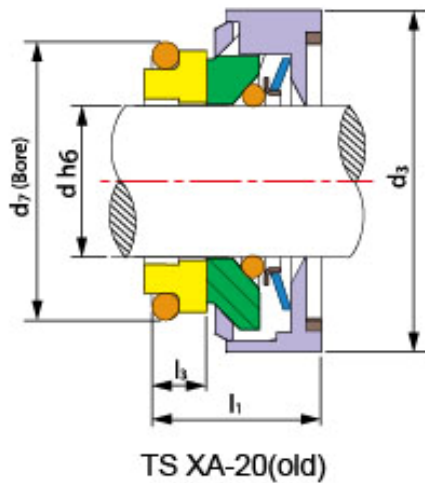


TS XA20mm-35mm Industrial Pump Seal



Operating Limits

Pressure: $\leq 1.2\text{MPa}$

Speed: $\leq 10\text{m/s}$

Temperature: $-30^{\circ}\text{C} \sim +200^{\circ}\text{C}$

Seal size	d_3	d_6	d_7	l_1	l_3
d(mm)					
XA-20	45.2	\	36	21.5	7.2

Shanghai Trisun Parts Manufacture Co.,Ltd.

Head office in Shanghai:

Room 05-06, 16th Floor, Hongjia Building, No.388 Fushan Rd. (Near Xiangcheng Rd.), Pudong, Shanghai, China.

Post Code: 200122

Tel: +86-21-58355541,+86-21-58353145,+86-21-58353343

Fax: +86-21-58353141

E-mail: trisunseal@yahoo.com.cn



XA-25	54	35.2	42	21	6
XA-35	69.8	50.3	56	25.7	10.2

Shanghai Trisun Parts Manufacture Co.,Ltd.

Head office in Shanghai:

Room 05-06, 16th Floor, Hongjia Building, No.388 Fushan Rd. (Near Xiangcheng Rd.), Pudong, Shanghai, China.

Post Code: 200122

Tel: +86-21-58355541,+86-21-58353145,+86-21-58353343

Fax: +86-21-58353141

E-mail: trisunseal@yahoo.com.cn