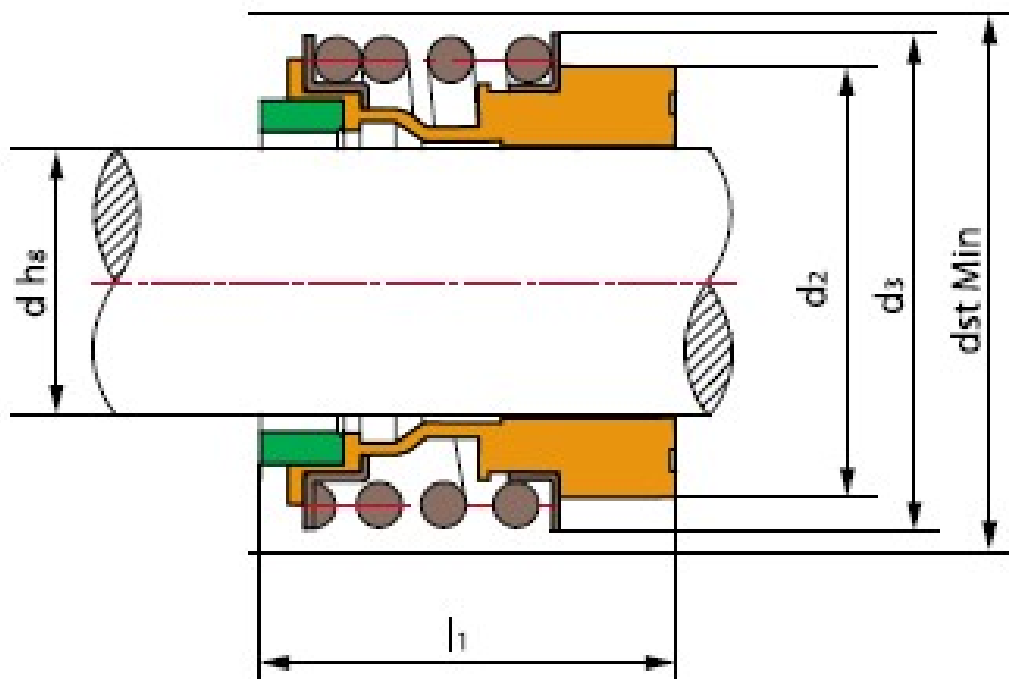


## TS MG1(TSG)8mm-100mm Component Seal



Rotary Ring (Carbon/SiC/TC)  
Stationary Ring (Ceramic/SiC/TC)

---

**Shanghai Trisun Parts Manufacture Co.,Ltd.**

**Head office in Shanghai:**

Room 05-06, 16th Floor, Hongjia Building, No.388 Fushan Rd. (Near Xiangcheng Rd.), Pudong, Shanghai, China.

**Post Code:** 200122

**Tel:** +86-21-58355541,+86-21-58353145,+86-21-58353343

**Fax:** +86-21-58353141

**E-mail:** [trisunseal@yahoo.com.cn](mailto:trisunseal@yahoo.com.cn)



Secondary Seal (NBR/EPDM/VITON)  
Spring & Other Parts (SUS304/SUS316)

**Operating Limits:**

Pressure:  $\leq 1.2\text{MPa}$

Speed:  $\leq 10\text{m/s}$

Temperature:  $-20^{\circ}\text{C}\sim+120^{\circ}\text{C}$

Seal size d(mm)	d	d <sub>2</sub>	dst	d <sub>3</sub>	l <sub>1</sub>
ss10	10	20.5	24.0	22.5	25.9
12	12	22.5	26.0	25.0	25.9
14	14	26.5	30.0	28.5	28.4
16	16	26.5	30.0	28.5	28.4
18	18	29.0	33.0	32.0	30.0
20	20	33.0	38.0	37.0	30.0
22	22	33.0	38.0	37.0	30.0
24	24	38.0	44.0	42.5	32.5
25	25	38.0	44.0	42.5	32.5
28	28	44.0	50.0	49.0	35.0
30	30	44.0	50.0	49.0	35.0
32	32	46.0	55.0	53.5	35.0
33	33	46.0	55.0	53.5	35.0
35	35	50.0	59.0	57.0	35.0
38	38	53.0	61.0	59.0	36.0
40	40	55.0	64.0	62.0	36.0
43	43	58.0	67.0	65.5	36.0
45	45	60.0	70.0	68.0	36.0
48	48	63.0	74.0	70.5	36.0
50	50	65.0	77.0	74.0	38.0
53	53	70.0	81.0	78.5	36.5
55	55	72.0	83.0	81.0	36.5
58	58	75.0	88.0	85.5	41.5
60	60	79.0	91.0	88.5	41.5
65	65	84.0	96.0	93.5	41.5
68	68	88.0	100.0	96.5	41.2
70	70	90.0	103.0	99.5	48.7
75	75	95.0	110.0	107.0	48.7
80	80	100.0	116.0	112.0	48.0
85	85	107.0	124.0	120.0	46.0

---

**Shanghai Trisun Parts Manufacture Co.,Ltd.**

**Head office in Shanghai:**

Room 05-06, 16th Floor, Hongjia Building, No.388 Fushan Rd. (Near Xiangcheng Rd.), Pudong, Shanghai, China.

**Post Code:** 200122

**Tel:** +86-21-58355541,+86-21-58353145,+86-21-58353343

**Fax:** +86-21-58353141

**E-mail:** [trisunseal@yahoo.com.cn](mailto:trisunseal@yahoo.com.cn)



90	90	114.0	131.0	127.0	51.0
95	95	119.0	136.0	132.0	51.0
100	100	124.0	140.0	137.0	51.0

---

**Shanghai Trisun Parts Manufacture Co.,Ltd.**

**Head office in Shanghai:**

Room 05-06, 16th Floor, Hongjia Building, No.388 Fushan Rd. (Near Xiangcheng Rd.), Pudong, Shanghai, China.

**Post Code:** 200122

**Tel:** +86-21-58355541,+86-21-58353145,+86-21-58353343

**Fax:** +86-21-58353141

**E-mail:** [trisunseal@yahoo.com.cn](mailto:trisunseal@yahoo.com.cn)