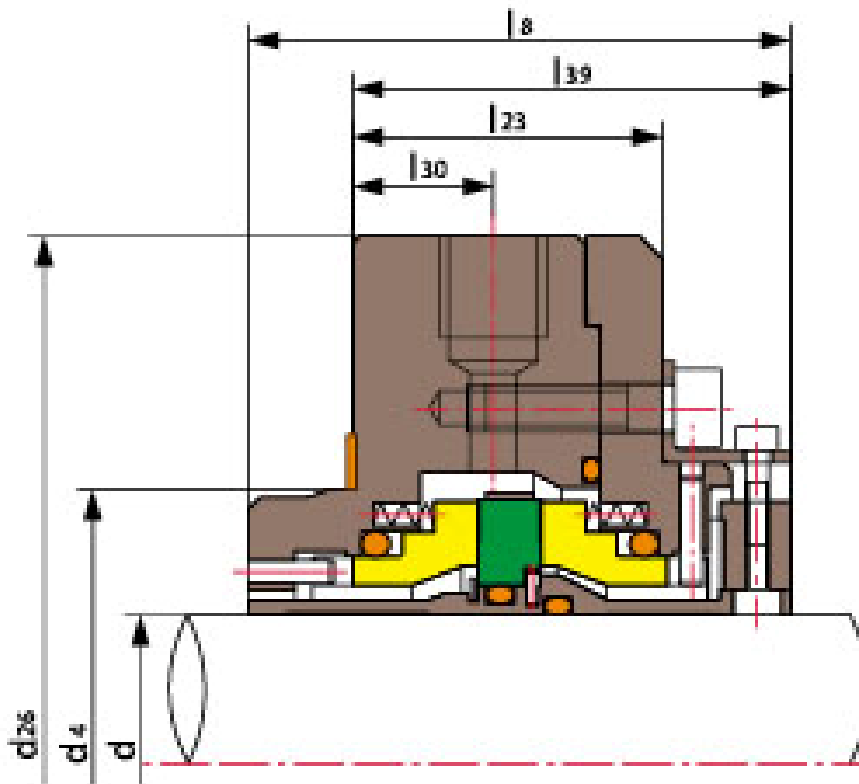


TSDGS-J01 0.875-4.000(inches) Dry Gas Seal



Shanghai Trisun Parts Manufacture Co.,Ltd.

Head office in Shanghai:

Room 05-06, 16th Floor, Hongjia Building, No.388 Fushan Rd. (Near Xiangcheng Rd.), Pudong, Shanghai, China.

Post Code: 200122

Tel: +86-21-58355541,+86-21-58353145,+86-21-58353343

Fax: +86-21-58353141

E-mail: trisunseal@yahoo.com.cn



Rotary Ring (SiC/TC)

Stationary Ring (Carbon)

Secondary Seal (VITON/Encapsulated Ring/PTFE/EPDM/Kalrez)

Other Parts (SUS304/SUS316)

Operating Limits

Pressure: $\leq 1.6\text{MPa}$

Speed: $\leq 25\text{m/s}$

Temperature: $-20^{\circ}\text{C} \sim +260^{\circ}\text{C}$

d (inches)	d ₄	d ₂₆	d ₂₈	d ₉₅	l ₈	l ₂₃	l ₃₀	l ₃₉
0.875	1.500	3.750	0.437	2.295	2.574	1.398	0.513	2.028
1.000	1.625	3.750	0.437	2.421	2.574	1.398	0.513	2.028
1.125	1.750	4.250	0.437	2.469	2.574	1.398	0.513	2.028
1.250	2.000	4.250	0.437	2.669	2.574	1.398	0.513	2.028
1.375*	2.125	4.250	0.437	2.795	2.574	1.398	0.513	2.028
1.375**	2.000	4.250	0.437	2.795	2.574	1.398	0.513	2.028
1.500	2.250	4.875	0.562	3.142	2.732	1.567	0.697	2.224
1.625	2.375	4.500	0.437	2.680	2.732	1.567	0.697	2.224
1.750	2.500	5.500	0.562	3.390	2.732	1.567	0.697	2.224
1.875	2.625	5.500	0.562	3.335	2.732	1.567	0.697	2.224
2.000	2.750	4.750	0.562	3.461	2.732	1.567	0.697	2.224
2.125	2.875	6.000	0.687	3.768	2.732	1.567	0.697	2.224
2.250	3.125	6.500	0.687	3.890	2.732	1.567	0.697	2.224
2.375	3.250	6.250.000	0.687	4.016	2.732	1.567	0.697	2.224
2.500	3.375	6.500	0.687	4.142	2.812	1.724	0.776	2.303
2.625	3.625	6.500	0.687	4.268	2.812	1.724	0.776	2.303
2.750	3.750	7.000	0.687	4.370	2.812	1.724	0.776	2.303
3.000	4.000	7.000	0.687	4.642	2.812	1.724	0.776	2.303
3.500	4.500	7.250	0.812	5.142	2.812	1.724	0.776	2.303
4.000	5.000	7.250	0.812	5.642	2.812	1.724	0.776	2.303

Shanghai Trisun Parts Manufacture Co.,Ltd.

Head office in Shanghai:

Room 05-06, 16th Floor, Hongjia Building, No.388 Fushan Rd. (Near Xiangcheng Rd.), Pudong, Shanghai, China.

Post Code: 200122

Tel: +86-21-58355541,+86-21-58353145,+86-21-58353343

Fax: +86-21-58353141

E-mail: trisunseal@yahoo.com.cn