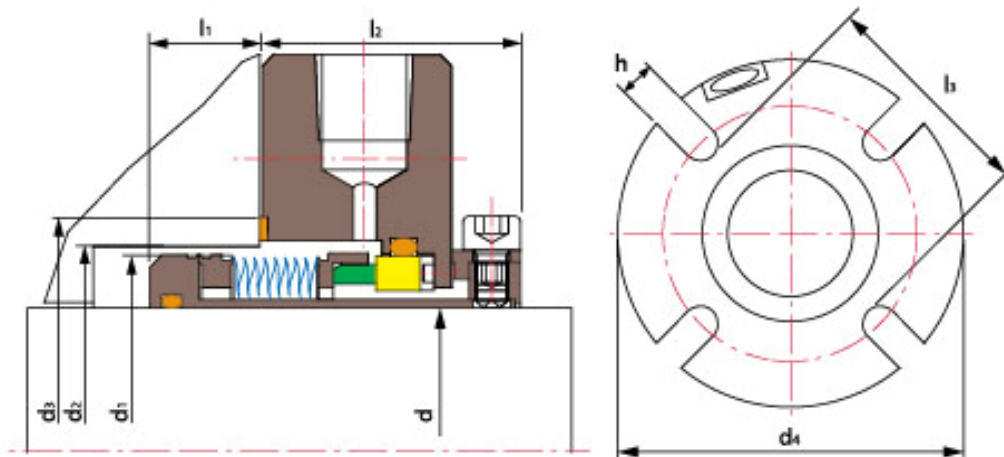


TSMB-J13 1.125-3.500(inches) Metal Bellows Seal



Operating Limits

Pressure: $\leq 2\text{MPa}$

Speed: $\leq 25\text{m/s}$

Temperature: $-30^{\circ}\text{C} \sim +200^{\circ}\text{C}$

Rotary Ring (SiC/Carbon/TC)

Shanghai Trisun Parts Manufacture Co.,Ltd.

Head office in Shanghai:

Room 05-06, 16th Floor, Hongjia Building, No.388 Fushan Rd. (Near Xiangcheng Rd.), Pudong, Shanghai, China.

Post Code: 200122

Tel: +86-21-58355541,+86-21-58353145,+86-21-58353343

Fax: +86-21-58353141

E-mail: trisunseal@yahoo.com.cn



Stationary Ring (SiC/TC)

Secondary Seal (VITON/Encapsulated Ring/PTFE)

Metal Bellows (SUS316L/AM350/Inconel718 /Titanium/Hastelloy-C/Alloy-20)

Other Parts (SUS304/SUS316/Titanium/Hastelloy-C)

d (inches)	d ₁	d ₂	d ₃	l ₁	l ₂	l ₃	h	d ₄
1.125	1.687	1.937	2.375	0.687	1.687	2.437	0.562	4.375
1.125	1.687	1.937	3.250	0.687	1.687	3.312	0.437	4.500
1.375	1.937	2.062	2.375	0.687	1.562	2.437	0.562	4.375
1.375	1.937	2.812	3.250	0.687	1.562	3.437	0.500	5.250
1.500	2.187	2.937	2.750	0.750	1.687	2.812	0.562	5.125
1.625	2.312	2.437	2.812	0.750	1.687	2.875	0.562	5.250
1.750	2.437	2.562	3.125	0.750	1.687	3.187	0.562	5.250
1.750	2.437	3.437	4.250	0.750	1.687	4.562	0.562	6.500
1.875	2.562	2.687	3.250	0.750	1.687	3.312	0.562	5.375
1.875	2.562	3.562	4.250	0.750	1.687	4.437	0.562	6.500
2.000	2.687	2.812	3.250	0.750	1.750	3.312	0.687	5.500
2.125	2.812	2.937	3.500	0.875	1.687	3.562	0.687	5.437
2.500	3.312	3.437	4.250	1.000	1.687	4.312	0.812	6.250
2.500	3.312	4.375	5.500	1.000	1.687	5.625	0.750	8.000
2.625	3.437	3.562	4.375	1.187	1.625	4.437	0.562	6.500
2.625	3.437	4.375	5.375	1.187	1.625	5.437	0.565	7.000
2.750	3.625	3.750	4.500	1.062	1.625	4.562	0.750	7.000
3.000	3.875	4.000	4.812	1.125	1.656	4.875	0.812	7.750
3.250	4.125	4.250	4.937	1.125	1.656	5.000	0.812	7.500
3.500	4.375	4.687	5.625	1.250	1.656	5.687	0.812	8.500

Shanghai Trisun Parts Manufacture Co.,Ltd.

Head office in Shanghai:

Room 05-06, 16th Floor, Hongjia Building, No.388 Fushan Rd. (Near Xiangcheng Rd.), Pudong, Shanghai, China.

Post Code: 200122

Tel: +86-21-58355541,+86-21-58353145,+86-21-58353343

Fax: +86-21-58353141

E-mail: trisunseal@yahoo.com.cn