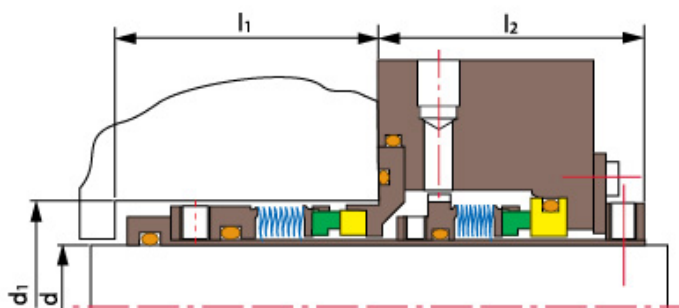
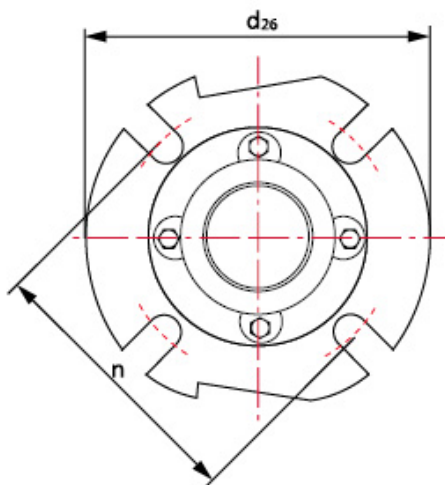


TSMB-C03 1.000-2.500(inches) Metal Bellows Seal



Shanghai Trisun Parts Manufacture Co.,Ltd.

Head office in Shanghai:

Room 05-06, 16th Floor, Hongjia Building, No.388 Fushan Rd. (Near Xiangcheng Rd.), Pudong, Shanghai, China.

Post Code: 200122

Tel: +86-21-58355541,+86-21-58353145,+86-21-58353343

Fax: +86-21-58353141

E-mail: trisunseal@yahoo.com.cn

Operating Limits

Pressure: $\leq 2\text{MPa}$

Speed: $\leq 20\text{m/s}$

Temperature: $-30^{\circ}\text{C} \sim +204^{\circ}\text{C}$

Rotary Ring (SiC/Carbon/TC)

Stationary Ring (SiC/TC)

Secondary Seal (VITON/Encapsulated Ring/PTFE)

Metal Bellows (SUS316L/AM350/Inconel718/Titanium/Hastelloy-C/Alloy-20)

Other Parts (SUS304/SUS316/Titanium/Hastelloy-C)

d (inches)	d ₂₆	d ₁		l ₁	l ₂	n		
	max	min	max	min		3/8"	1/2"	5/8"
1.000	4.130	1.750	1.880	2.030	2.060	2.900	\	\
1.125	4.250	1.750	1.880	2.030	2.060	2.900	\	\
1.250	4.250	2.000	2.130	2.060	2.130	3.020	\	\
1.375	4.250	2.000	2.190	2.060	2.030	3.250	\	\
1.500	4.500	2.250	2.380	2.250	2.130	3.500	3.630	\
1.625	5.000	2.380	2.500	2.210	2.130	3.560	3.690	\
1.750	5.500	2.500	2.560	2.340	2.130	3.630	3.750	\
1.875	5.500	2.630	2.690	2.340	2.130	3.750	3.880	\
2.000	5.500	2.750	2.940	2.340	2.130	4.010	4.130	\
2.125	6.000	3.000	3.190	2.400	2.130	4.250	4.380	4.500
2.250	6.250	3.130	3.190	2.400	2.130	4.250	4.380	4.500
2.375	6.250	3.250	3.440	2.310	2.250	4.380	4.500	4.630
2.500	6.500	3.380	3.440	2.410	2.190	4.560	4.810	4.810

Shanghai Trisun Parts Manufacture Co.,Ltd.

Head office in Shanghai:

Room 05-06, 16th Floor, Hongjia Building, No.388 Fushan Rd. (Near Xiangcheng Rd.), Pudong, Shanghai, China.

Post Code: 200122

Tel: +86-21-58355541,+86-21-58353145,+86-21-58353343

Fax: +86-21-58353141

E-mail: trisunseal@yahoo.com.cn