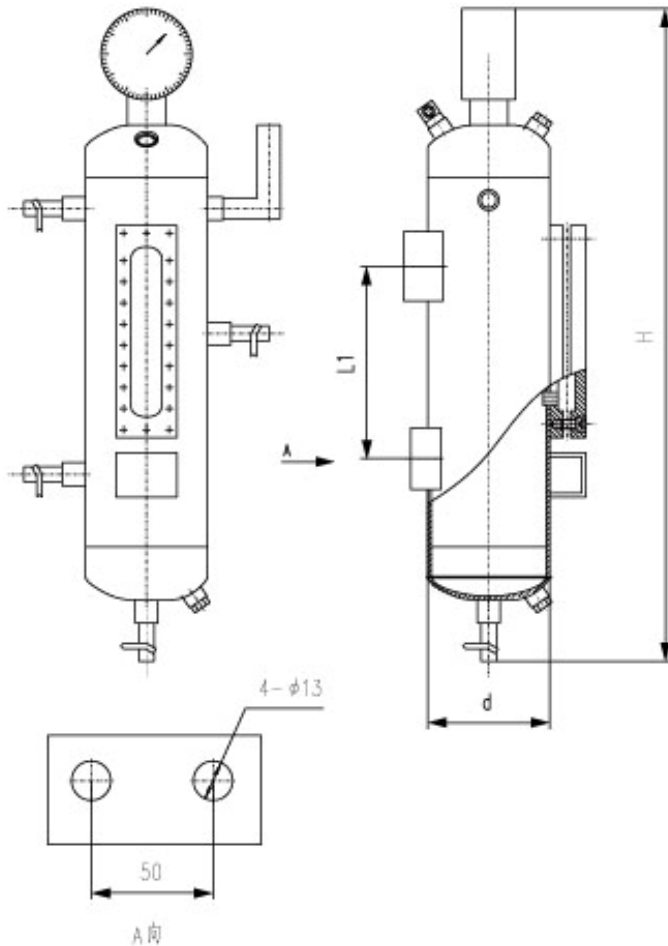
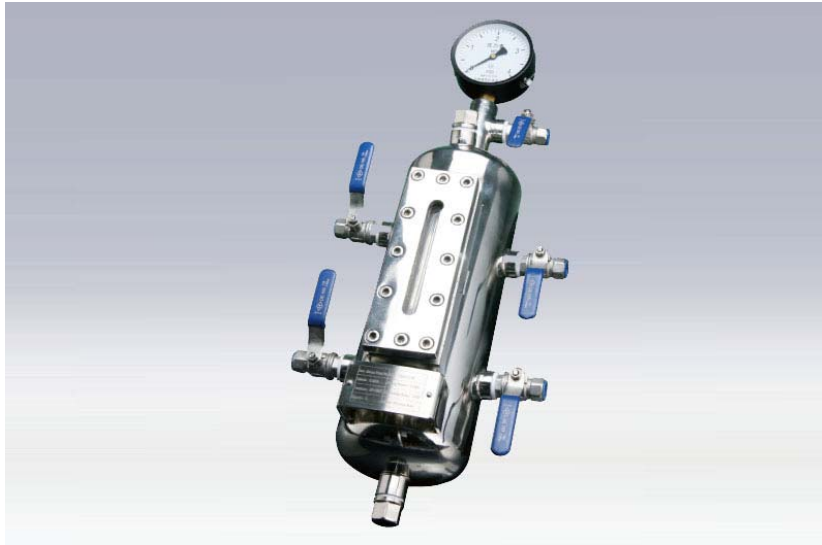


## TSTS 133mm-159mm Thermosiphon Vessel



**Shanghai Trisun Parts Manufacture Co.,Ltd.**

**Head office in Shanghai:**

Room 05-06, 16th Floor, Hongjia Building, No.388 Fushan Rd. (Near Xiangcheng Rd.), Pudong, Shanghai, China.

**Post Code:** 200122

**Tel:** +86-21-58355541,+86-21-58353145,+86-21-58353343

**Fax:** +86-21-58353141

**E-mail:** [trisunseal@yahoo.com.cn](mailto:trisunseal@yahoo.com.cn)



**TSTS L1.4-25B/TSTSL1.6-25B**

Operating Limits

Capacity: 4L/6L

Pressure: 2.5MPa

Working Temperature: -60℃~-200℃

Material: Stainless steel

**Operating plans: API 52, API 53, API 53A**

Model	Volume	d	L <sub>1</sub>	H	Nozzle
TSL1.4-2.5B	4	133	175	470	G3/8
TSL1.4-2.5B	6	159	260	690	G1/2

---

**Shanghai Trisun Parts Manufacture Co.,Ltd.**

**Head office in Shanghai:**

Room 05-06, 16th Floor, Hongjia Building, No.388 Fushan Rd. (Near Xiangcheng Rd.), Pudong, Shanghai, China.

**Post Code:** 200122

**Tel:** +86-21-58355541,+86-21-58353145,+86-21-58353343

**Fax:** +86-21-58353141

**E-mail:** [trisunseal@yahoo.com.cn](mailto:trisunseal@yahoo.com.cn)