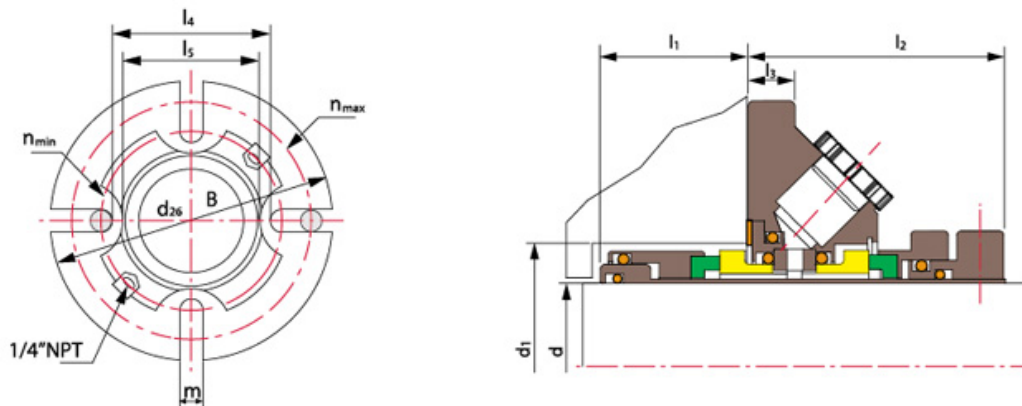


TSDC-A02 1.000-5.000(inches) Cartridge Seal



Operating Limits

Pressure: <2.1MPa (shaft diameters≤75mm)
 <1.3MPa (shaft diameter>75mm)
 Speed: ≤25m/s
 Temperature: -30℃~+205℃

d (mm)	d ₂₆	l ₄	l ₅	l ₃	d ₁		n		m max	l ₁	l ₂
					min	max	min	max			
24	104.8	54.0	49.2	13.2	40.0	46.0	67.0	90.5	12	32.5	52.4
25	104.8	54.0	49.2	13.2	41.0	49.0	67.0	90.5	12	32.5	52.4

Shanghai Trisun Parts Manufacture Co.,Ltd.

Head office in Shanghai:

Room 05-06, 16th Floor, Hongjia Building, No.388 Fushan Rd. (Near Xiangcheng Rd.), Pudong, Shanghai, China.

Post Code: 200122

Tel: +86-21-58355541,+86-21-58353145,+86-21-58353343

Fax: +86-21-58353141

E-mail: trisunseal@yahoo.com.cn

28	108.0	57.2	52.4	13.2	44.0	52.3	70.3	93.6	12	32.5	52.4
30	111.0	60.4	55.6	13.2	46.0	55.5	73.5	96.8	12	32.5	52.4
32	111.0	60.4	55.6	13.2	48.0	55.5	73.5	96.8	12	32.5	52.4
33	111.0	60.4	55.6	13.2	49.0	55.5	73.5	96.8	12	32.5	52.4
35	111.0	63.5	58.8	13.2	51.0	57.5	76.6	96.8	12	32.5	52.4
38	127.0	71.5	65.0	16.4	57.2	60.3	85.7	114.3	12	33.3	54.0
40	127.0	71.5	65.0	16.4	58.0	60.4	85.7	114.3	12	33.3	54.0
43	127.0	71.5	65.0	16.4	61.0	63.5	85.7	114.3	12	33.3	54.0
45	139.7	81.0	71.4	16.4	63.5	69.9	95.3	127.0	12	33.3	54.0
48	137.7	81.0	71.4	16.4	66.7	73.0	95.3	127.0	12	33.3	54.0
50	139.7	81.0	71.4	16.4	68.0	73.0	95.3	127.0	12	33.3	54.0
53	152.4	90.5	77.8	16.4	71.0	76.2	104.8	139.7	12	35.0	54.0
55	152.4	90.5	77.8	16.4	74.0	79.4	104.8	139.7	12	35.0	54.0
58	165.1	96.8	84.1	16.4	76.2	82.5	114.3	149.2	16	35.0	54.0
60	165.1	96.8	84.1	16.4	79.4	85.7	114.3	149.2	16	35.0	54.0
63	177.8	109.5	96.8	19.6	85.8	92.1	127.0	160.3	16	38.1	60.3
65	177.8	109.5	96.8	19.6	88.9	95.3	127.0	160.3	16	38.1	60.3
68	177.8	109.5	96.8	19.6	92.1	98.4	127.0	160.3	16	38.1	60.3
70	177.8	109.5	96.8	19.6	92.1	98.4	127.0	160.3	16	38.1	60.3
75	190.5	125.4	108.0	19.6	98.5	108.0	142.9	173.0	16	38.1	60.3
80	190.5	125.4	108.0	19.6	101.6	111.1	142.9	173.0	16	38.1	60.3
85	203.2	135.0	117.5	19.6	108.0	117.5	155.6	182.5	20	38.1	60.3
90	215.9	150.8	127.0	19.6	114.3	127.0	171.5	195.2	20	38.1	60.3
95	215.9	150.8	127.0	19.6	117.5	130.2	171.5	195.2	20	38.1	60.3
100	228.6	168.3	136.5	19.6	123.9	139.7	189.0	208.0	20	38.1	60.3
105	228.6	168.3	136.5	19.6	130.1	149.2	189.0	208.0	20	38.1	60.3
110	241.3	177.8	146.2	19.6	136.5	158.8	198.4	220.6	20	38.1	60.3
115	254.0	186.6	155.8	19.6	142.9	168.3	211.1	230.2	22	38.1	60.3
120	254.0	186.6	155.8	19.6	142.9	168.3	211.1	230.2	22	38.1	60.3
125	254.0	186.6	155.8	19.6	149.2	168.3	211.1	230.2	22	38.1	60.3

Shanghai Trisun Parts Manufacture Co.,Ltd.

Head office in Shanghai:

Room 05-06, 16th Floor, Hongjia Building, No.388 Fushan Rd. (Near Xiangcheng Rd.), Pudong, Shanghai, China.

Post Code: 200122

Tel: +86-21-58355541,+86-21-58353145,+86-21-58353343

Fax: +86-21-58353141

E-mail: trisunseal@yahoo.com.cn