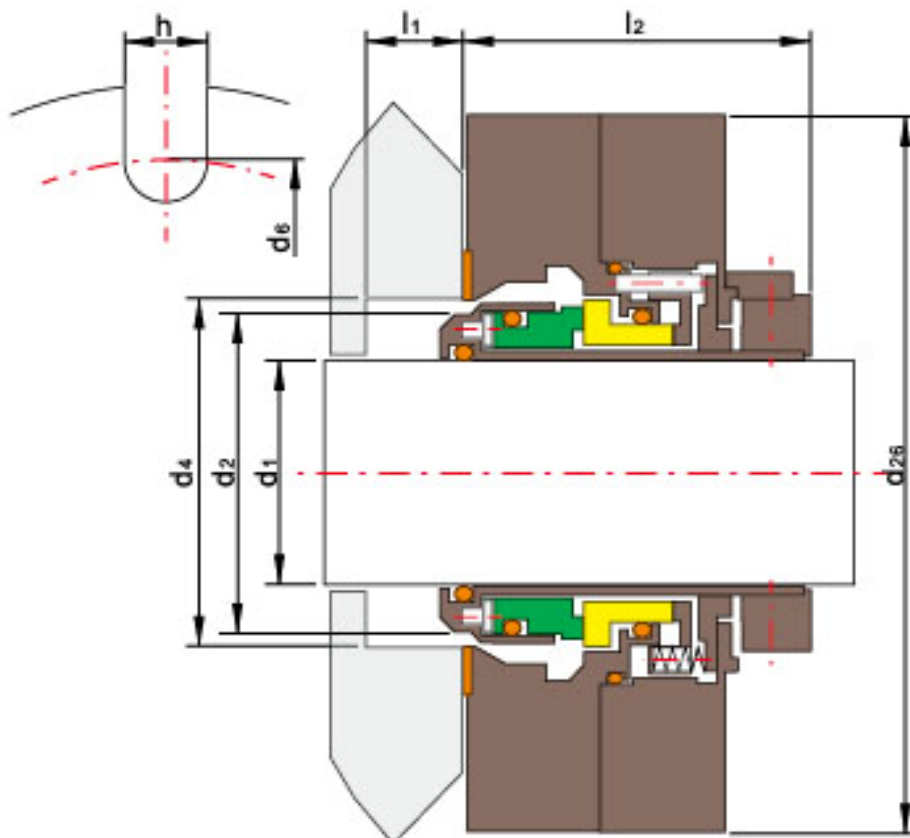


TSSC-C03 45mm-120mm



**Shanghai Trisun Parts Manufacture Co.,Ltd.**

**Head office in Shanghai:**

Room 05-06, 16th Floor, Hongjia Building, No.388 Fushan Rd. (Near Xiangcheng Rd.), Pudong, Shanghai, China.

**Post Code:** 200122

**Tel:** +86-21-58355541,+86-21-58353145,+86-21-58353343

**Fax:** +86-21-58353141

**E-mail:** [trisunseal@yahoo.com.cn](mailto:trisunseal@yahoo.com.cn)



**Features:**

Operating Limits:

Pressure: ≤4MPa

Speed: ≤20m/s

Temperature: -40℃~+204℃

1. Rotary Ring (SiC/TC)
2. Stationary Ring (SiC/Carbon/TC)
3. Secondary Seal (VITON/AFLAS/Kalrez)
4. Other Parts (C-276/dUPLE/316)

d <sub>1</sub>	d <sub>2</sub>		d <sub>4</sub>	d <sub>6</sub>	d <sub>26</sub>	l <sub>1</sub>			l <sub>2</sub>	h
	(inches)	min				max	3/8"	1/2"		
45	64	73	18	13	139	49	95	97	-	43
48	67	73	18	13	139	49	95*	97*	-	43
50	69	78	18	13	139	49	100	102	-	43
53	73	87	18	17	152	49	109	111	115	43
55	74	83	18	17	152	49	105	107	111	43
58	80	91	18	17	152	49	114	116	120	43
60	80	91	22	17	152	49	114	116	120	43
65	92	103	22	17	164	64	127	131	-	45
70	96	111	22	17	196	64	137	141	-	45
75	102	119	22	17	202	64	143	147	-	45
80	106	122	22	17	203	64	150	154	-	45
85	111	128	22	21	211	64	152	156	161	45
90	116	132	22	21	214	64	160	164	168	45
95	121	137	22	21	221	64	161	165	170	45
100	127	144	22	21	228	64	168	172	177	45
110	137	154	22	21	237	64	178	182	186	45

**Shanghai Trisun Parts Manufacture Co.,Ltd.**

**Head office in Shanghai:**

Room 05-06, 16th Floor, Hongjia Building, No.388 Fushan Rd. (Near Xiangcheng Rd.), Pudong, Shanghai, China.

**Post Code:** 200122

**Tel:** +86-21-58355541,+86-21-58353145,+86-21-58353343

**Fax:** +86-21-58353141

**E-mail:** [trisunseal@yahoo.com.cn](mailto:trisunseal@yahoo.com.cn)



120	146	164	22	21	266	64	187	191	195	45
-----	-----	-----	----	----	-----	----	-----	-----	-----	----

---

**Shanghai Trisun Parts Manufacture Co.,Ltd.**

**Head office in Shanghai:**

Room 05-06, 16th Floor, Hongjia Building, No.388 Fushan Rd. (Near Xiangcheng Rd.), Pudong, Shanghai, China.

**Post Code:** 200122

**Tel:** +86-21-58355541,+86-21-58353145,+86-21-58353343

**Fax:** +86-21-58353141

**E-mail:** [trisunseal@yahoo.com.cn](mailto:trisunseal@yahoo.com.cn)