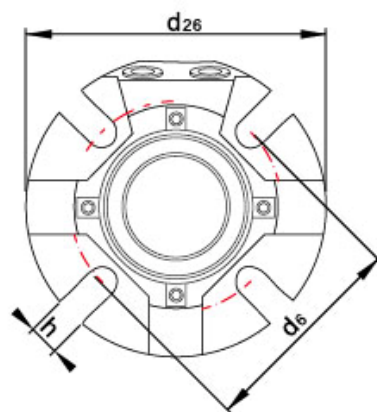
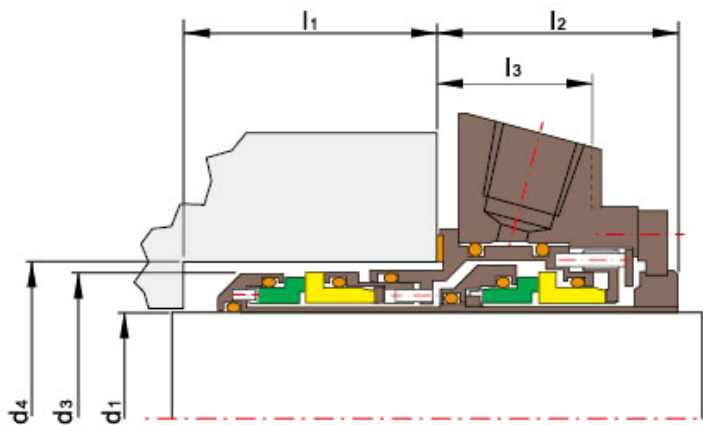


TSDC-C03 1.500mm-2.625mm



Shanghai Trisun Parts Manufacture Co.,Ltd.

Head office in Shanghai:

Room 05-06, 16th Floor, Hongjia Building, No.388 Fushan Rd. (Near Xiangcheng Rd.), Pudong, Shanghai, China.

Post Code: 200122

Tel: +86-21-58355541,+86-21-58353145,+86-21-58353343

Fax: +86-21-58353141

E-mail: trisunseal@yahoo.com.cn



Features:

Operating Limits:

Pressure: ≤ 3.1 MPa

Speed: ≤ 25 m/s

Temperature: ≤ 205 °C

1. Rotary Ring (Carbon/SiC/TC)
2. Stationary Ring (SiC/TC)
3. Secondary Seal (VITON/AFLAS/Kalrez)
4. Other Parts (C-276/Duplex/316)

d ₁ (mm)	d ₃		d ₄	d ₆			d ₂₆	l ₁	l ₂	l ₃	h
	min	max		3/8	1/2	5/8					
1.500	2.25	2.44	2.19	3.31**	3.55**	-	4.50	1.97	2.11	1.20	0.57
1.625	2.38	2.70	2.31	3.49**	3.68**	-	5.00	1.97	2.11	1.20	0.57
1.750	2.50	2.81	2.44	3.61**	3.80**	-	5.50	1.97	2.11	1.20	0.57
1.750 OS	3.50	3.75	2.44	5.38	5.50	-	6.64	1.97	2.11	1.20	0.57
1.875	2.63	2.94	2.56	3.74**	3.93**	-	5.50	1.97	2.11	1.20	0.57
1.875 OS	3.56	3.81	2.56	-	5.00	-	5.99	1.97	2.11	1.20	0.57
2.000	2.75	3.19	2.69	3.99	4.12**	-	5.50	1.97	2.11	1.20	0.57
2.125	2.88	3.44	2.81	4.24	4.37	4.49**	6.00	1.97	2.11	1.20	0.69
2.125 OS	3.88	4.25	2.81	-	4.49	5.25	6.99	1.66	2.42	1.51	0.69
2.250	3.00	3.56	2.94	4.36	4.49	4.61**	6.00	1.97	2.11	1.20	0.69
2.375	3.13	3.62	3.06	4.42	4.55	4.68**	6.00	1.97	2.11	1.20	0.69
2.500	3.25	3.81	3.19	4.61	4.74	4.86**	6.50	1.97	2.11	1.20	0.69
2.500 OS	4.50	4.75	3.19	-	6.63	6.75**	7.77	1.97	2.11	1.20	0.69
2.625	3.38	3.94	3.31	4.86	4.99	5.11	6.50	1.97	2.11	1.20	0.69
2.625 OS	4.55	4.88	3.31	-	5.88	6.00	6.99	1.97	2.11	1.20	0.69

Shanghai Trisun Parts Manufacture Co.,Ltd.

Head office in Shanghai:

Room 05-06, 16th Floor, Hongjia Building, No.388 Fushan Rd. (Near Xiangcheng Rd.), Pudong, Shanghai, China.

Post Code: 200122

Tel: +86-21-58355541,+86-21-58353145,+86-21-58353343

Fax: +86-21-58353141

E-mail: trisunseal@yahoo.com.cn



Shanghai Trisun Parts Manufacture Co.,Ltd.

Head office in Shanghai:

Room 05-06, 16th Floor, Hongjia Building, No.388 Fushan Rd. (Near Xiangcheng Rd.), Pudong, Shanghai, China.

Post Code: 200122

Tel: +86-21-58355541,+86-21-58353145,+86-21-58353343

Fax: +86-21-58353141

E-mail: trisunseal@yahoo.com.cn