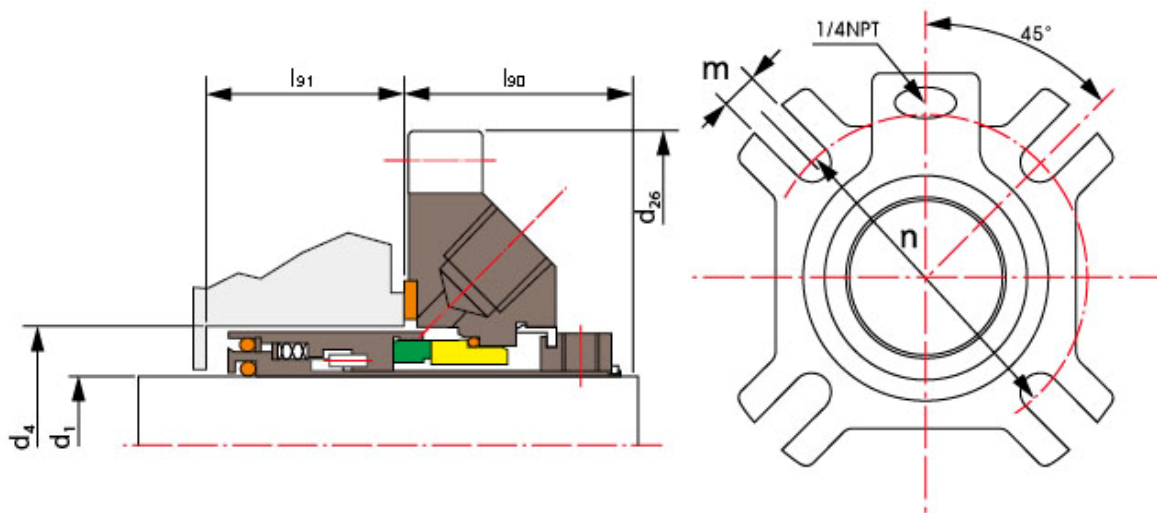
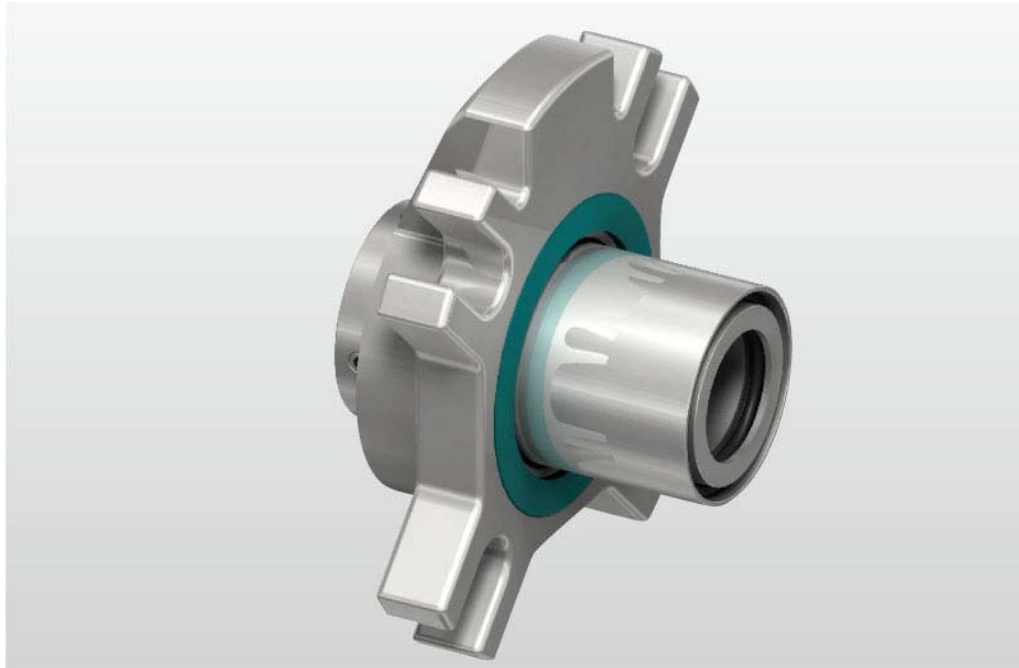


## TSSC-J05 24mm-70mm Cartridge Seal



Rotary Ring (SiC/Carbon /TC)

Stationary Ring (SiC/TC)

Secondary Seal (VITON/Encapsulated Ring/PTFE)

Other Parts (SUS304/SUS316/Titanium/Hastelloy-C)

---

**Shanghai Trisun Parts Manufacture Co.,Ltd.**

**Head office in Shanghai:**

Room 05-06, 16th Floor, Hongjia Building, No.388 Fushan Rd. (Near Xiangcheng Rd.), Pudong, Shanghai, China.

**Post Code:** 200122

**Tel:** +86-21-58355541,+86-21-58353145,+86-21-58353343

**Fax:** +86-21-58353141

**E-mail:** [trisunseal@yahoo.com.cn](mailto:trisunseal@yahoo.com.cn)



**Operating Limits**

Pressure:  $\leq 2.1$ MPa

Speed:  $\leq 18$ m/s

Temperature:  $+250^{\circ}\text{C}$

| d <sub>1</sub><br>(mm) | d <sub>4</sub> |      | d <sub>26</sub> | l <sub>90</sub> | l <sub>91</sub> | n     |       | m    |
|------------------------|----------------|------|-----------------|-----------------|-----------------|-------|-------|------|
|                        | min            | max  |                 |                 |                 | min   | max   |      |
| 24                     | 40.0           | 49.2 | 104.8           | 36.0            | 32              | 66.7  | 95.5  | 11.1 |
| 25                     | 41.0           | 49.2 | 104.8           | 36.0            | 32              | 66.7  | 95.3  | 11.1 |
| 28                     | 44.0           | 52.4 | 108.0           | 36.0            | 32              | 69.9  | 98.4  | 11.1 |
| 30                     | 46.0           | 55.6 | 111.0           | 36.0            | 32              | 73.0  | 101.6 | 11.1 |
| 32                     | 47.6           | 55.6 | 111.0           | 36.0            | 32              | 73.0  | 101.6 | 11.1 |
| 33                     | 49.0           | 58.7 | 114.3           | 36.0            | 32              | 73.0  | 101.6 | 11.1 |
| 35                     | 50.8           | 58.7 | 114.3           | 36.0            | 32              | 77.8  | 104.8 | 11.1 |
| 38                     | 57.2           | 63.5 | 127.0           | 37.0            | 33              | 87.3  | 114.3 | 14.3 |
| 40                     | 60.0           | 63.5 | 127.0           | 37.0            | 33              | 87.3  | 114.3 | 14.3 |
| 43                     | 63.0           | 66.7 | 133.4           | 37.0            | 33              | 90.5  | 120.7 | 14.3 |
| 45                     | 63.5           | 66.7 | 133.4           | 37.0            | 33              | 90.5  | 120.7 | 14.3 |
| 48                     | 66.7           | 76.2 | 139.7           | 37.0            | 33              | 98.4  | 127.0 | 14.3 |
| 50                     | 69.8           | 76.2 | 139.7           | 37.0            | 33              | 98.4  | 127.0 | 14.3 |
| 53                     | 73.0           | 84.1 | 146.0           | 37.0            | 33              | 111.1 | 130.2 | 17.5 |
| 55                     | 73.0           | 84.1 | 146.0           | 37.0            | 33              | 111.1 | 130.2 | 17.5 |
| 58                     | 79.4           | 90.5 | 152.4           | 37.0            | 33              | 117.5 | 136.5 | 17.5 |
| 60                     | 79.4           | 90.5 | 152.4           | 37.0            | 33              | 117.5 | 136.5 | 17.5 |
| 63                     | 82.6           | 98.4 | 158.8           | 37.0            | 36              | 123.8 | 142.9 | 17.5 |
| 65                     | 88.9           | 98.4 | 158.8           | 37.5            | 36              | 123.8 | 142.9 | 17.5 |
| 70                     | 95.0           | 98.4 | 158.8           | 37.5            | 36              | 123.8 | 142.9 | 17.5 |

---

**Shanghai Trisun Parts Manufacture Co.,Ltd.**

**Head office in Shanghai:**

Room 05-06, 16th Floor, Hongjia Building, No.388 Fushan Rd. (Near Xiangcheng Rd.), Pudong, Shanghai, China.

**Post Code:** 200122

**Tel:** +86-21-58355541,+86-21-58353145,+86-21-58353343

**Fax:** +86-21-58353141

**E-mail:** [trisunseal@yahoo.com.cn](mailto:trisunseal@yahoo.com.cn)