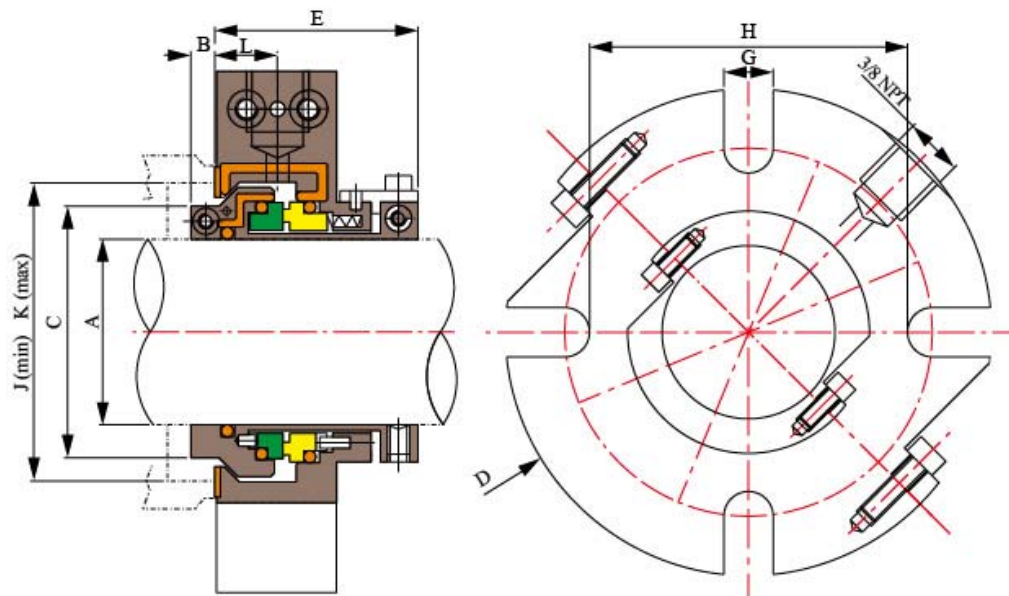


TSSP-FA01 1.500-8.500(inches) Split-Cartridge Seal



Operating Limits

Pressure: $\leq 1.6\text{MPa}$

Speed: $\leq 3600\text{RPM}$

Temperature: $\leq 180^{\circ}\text{C}$

Shanghai Trisun Parts Manufacture Co.,Ltd.

Head office in Shanghai:

Room 05-06, 16th Floor, Hongjia Building, No.388 Fushan Rd. (Near Xiangcheng Rd.), Pudong, Shanghai, China.

Post Code: 200122

Tel: +86-21-58355541,+86-21-58353145,+86-21-58353343

Fax: +86-21-58353141

E-mail: trisunseal@yahoo.com.cn



Rotary Ring (SiC/TC)
 Stationary Ring (SiC/Carbon)
 Secondary Seal (VITON/NBR/EPDM)
 Other Parts (SUS304/SUS316)

Parameter:

| A (inches) | B | C | D | E | F | G | H | J | K | L |
|-------------------|------|-----------|------|-------|-----|-------|-----------|-------|-----------|-------|
| 1.500 | 0.25 | 2.18 7 | 5.25 | 2.125 | 2.5 | 0.562 | 3.12 5 | 2.25 | 2.62 5 | 0.656 |
| 1.687 | 0.25 | 2.43 7 | 5.5 | 2.125 | 2.5 | 0.562 | 3.37 5 | 2.5 | 2.87 5 | 0.656 |
| 1.750 | 0.25 | 2.43 7 | 5.5 | 2.125 | 2.5 | 0.562 | 3.37 5 | 2.5 | 2.87 5 | 0.656 |
| 1.875 | 0.25 | 2.56 2 | 5.5 | 2.125 | 2.5 | 0.562 | 3.34 4 | 2.625 | 3 | 0.656 |
| 1.937 | 0.25 | 2.62 5 | 5.44 | 2.125 | 2.5 | 0.562 | 3.56 3 | 2.687 | 3.12 5 | 0.656 |
| 2.000 | 0.25 | 2.68 7 | 5.44 | 2.125 | 2.5 | 0.562 | 3.56 3 | 2.75 | 3.12 5 | 0.656 |
| 2.125 | 0.25 | 2.81 2 | 6 | 2.125 | 2.5 | 0.687 | 3.68 8 | 2.875 | 3.37 5 | 0.656 |
| 2.188 | 0.25 | 2.93 7 | 6.25 | 2.125 | 2.5 | 0.687 | 3.81 3 | 3 | 3.37 5 | 0.656 |
| 2.250 | 0.25 | 3.06 2 | 6.25 | 2.125 | 2.5 | 0.687 | 3.93 7 | 3.125 | 3.5 | 0.656 |
| 2.375 | 0.25 | 3.18 8 | 6.25 | 2.125 | 2.5 | 0.687 | 4.06 2 | 3.25 | 3.5 | 0.656 |
| 2.438 | 0.25 | 3.18 8 | 6.44 | 2.125 | 2.5 | 0.687 | 4.12 5 | 3.375 | 3.62 5 | 0.656 |
| 2.500 | 0.25 | 3.18 8 | 6.44 | 2.125 | 2.5 | 0.687 | 4.12 5 | 3.375 | 3.62 5 | 0.656 |
| 2.625 | 0.25 | 3.34 7 | 6.44 | 2.125 | 2.5 | 0.687 | 4.43 8 | 3.5 | 3.87 5 | 0.656 |
| 2.688 | 0.25 | 3.56 2 | 7.82 | 2.125 | 2.5 | 0.687 | 4.43 8 | 3.625 | 4.12 5 | 0.656 |
| 2.750 | 0.25 | 3.56 2 | 7.82 | 2.125 | 2.5 | 0.687 | 4.43 8 | 3.625 | 4.12 5 | 0.656 |

Shanghai Trisun Parts Manufacture Co.,Ltd.

Head office in Shanghai:

Room 05-06, 16th Floor, Hongjia Building, No.388 Fushan Rd. (Near Xiangcheng Rd.), Pudong, Shanghai, China.

Post Code: 200122

Tel: +86-21-58355541,+86-21-58353145,+86-21-58353343

Fax: +86-21-58353141

E-mail: trisunseal@yahoo.com.cn

| | | | | | | | | | | |
|-------|-------|-----------|------------|-------|-------|-------|-----------|-------|-----------|-------|
| 2.875 | 0.25 | 3.68 7 | 7.82 | 2.125 | 2.5 | 0.687 | 4.81 2 | 3.812 | 4.25 | 0.656 |
| 2.938 | 0.25 | 3.81 2 | 7.88 | 2.125 | 2.5 | 0.687 | 4.93 8 | 3.937 | 4.37 5 | 0.656 |
| 3.000 | 0.25 | 3.81 2 | 7.88 | 2.125 | 2.5 | 0.687 | 4.93 8 | 3.937 | 4.37 5 | 0.656 |
| 3.250 | 0.281 | 4.18 8 | 8.25 | 2.437 | 2.812 | 0.812 | 5.18 8 | 4.25 | 4.75 | 0.812 |
| 3.375 | 0.281 | 4.31 2 | 8.25 | 2.437 | 2.812 | 0.812 | 5.31 3 | 4.375 | 4.87 5 | 0.812 |
| 3.438 | 0.281 | 4.43 7 | 8.5 | 2.437 | 2.812 | 0.812 | 5.43 7 | 4.5 | 5 | 0.812 |
| 3.500 | 0.281 | 4.43 7 | 8.5 | 2.437 | 2.812 | 0.812 | 5.43 7 | 4.5 | 5 | 0.812 |
| 3.625 | 0.281 | 4.56 2 | 8.63 | 2.437 | 2.812 | 0.812 | 5.56 2 | 4.625 | 5.12 5 | 0.812 |
| 3.750 | 0.281 | 4.62 5 | 8.82 | 2.437 | 2.812 | 0.812 | 5.68 8 | 4.687 | 5.12 5 | 0.812 |
| 3.875 | 0.281 | 4.81 2 | 8.82 | 2.437 | 2.812 | 0.812 | 5.81 3 | 4.875 | 5.25 | 0.812 |
| 4.000 | 0.281 | 4.93 7 | 8.82 | 2.437 | 2.812 | 0.812 | 5.81 3 | 5 | 5.37 | 0.812 |
| 4.250 | 0.281 | 5.18 8 | 9.25 | 2.437 | 2.812 | 0.812 | 6.06 3 | 5.25 | 5.75 | 0.812 |
| 4.375 | 0.281 | 5.31 2 | 9.25 | 2.437 | 2.812 | 0.812 | 6.43 7 | 5.375 | 5.87 5 | 0.812 |
| 4.500 | 0.281 | 5.40 6 | 9.69 | 2.437 | 2.812 | 0.812 | 6.5 | 5.5 | 6 | 0.812 |
| 4.750 | 0.281 | 5.65 6 | 9.75 | 2.437 | 2.812 | 0.812 | 6.93 8 | 5.75 | 6.25 | 0.812 |
| 4.938 | 0.375 | 6.18 8 | *10.7 5 | 3.062 | 2.812 | 0.937 | 7.31 2 | 6.312 | 6.75 | 0.923 |
| 5.000 | 0.375 | 6.18 8 | *10.7 5 | 3.062 | 2.812 | 0.937 | 7.31 2 | 6.312 | 6.75 | 0.923 |
| 5.125 | 0.375 | 6.37 5 | *11.0 0 | 3.062 | 2.812 | 0.937 | 7.81 2 | 6.5 | 7.25 | 0.923 |
| 5.250 | 0.375 | 6.37 5 | *11.0 0 | 3.062 | 2.812 | 0.937 | 7.81 2 | 6.5 | 7.25 | 0.923 |
| 5.500 | 0.375 | 6.68 8 | *11.5 0 | 3.062 | 2.812 | 0.937 | 7.81 3 | 6.812 | 7.37 5 | 0.923 |

Shanghai Trisun Parts Manufacture Co.,Ltd.

Head office in Shanghai:

Room 05-06, 16th Floor, Hongjia Building, No.388 Fushan Rd. (Near Xiangcheng Rd.), Pudong, Shanghai, China.

Post Code: 200122

Tel: +86-21-58355541,+86-21-58353145,+86-21-58353343

Fax: +86-21-58353141

E-mail: trisunseal@yahoo.com.cn

| | | | | | | | | | | |
|-------|-------|-----------|------------|-------|-------|-------|-----------|-------|-----------|-------|
| 5.750 | 0.375 | 6.93 8 | *12.0 0 | 3.062 | 2.812 | 0.937 | 8.15 6 | 7.062 | 7.62 5 | 0.923 |
| 6.000 | 0.375 | 7.18 8 | *12.2 5 | 3.062 | 2.812 | 0.937 | 8.43 7 | 7.312 | 7.87 5 | 0.923 |
| 6.250 | 0.375 | 7.43 8 | *12.5 0 | 3.062 | 2.812 | 0.937 | 8.65 6 | 7.562 | 8.12 5 | 0.923 |
| 6.500 | 0.375 | 7.68 8 | *12.2 5 | 3.062 | 2.812 | 0.937 | 8.81 3 | 7.812 | 8.37 5 | 0.923 |
| 6.750 | 0.375 | 7.93 8 | *12.5 0 | 3.25 | 4 | 0.937 | 9.31 2 | 8.062 | 8.62 5 | 0.923 |
| 7.000 | 0.375 | 8.18 8 | *12.7 5 | 3.25 | 4 | 0.937 | 9.56 2 | 8.312 | 8.75 | 0.923 |
| 8.500 | 0.375 | 9.68 8 | 14.25 | 3.25 | 4 | 1 | 11 | 9.812 | 10.2 5 | 0.923 |

| A | B | C | D | E | F | G | H | J | K | L |
|-----------------|------|-----------|-----|----|----|------|-----------|-------|------------|------|
| 45mm (1.722) | 6.35 | 65.1 | 140 | 54 | 64 | 14.3 | 84.9 | 66.68 | 76.2 | 16.7 |
| 48mm (1.890) | 6.35 | 68.2 | 140 | 54 | 64 | 14.3 | 90.5 | 68.85 | 79.38 | 16.7 |
| 50mm (1.968) | 6.35 | 68.2 | 140 | 54 | 64 | 14.3 | 90.5 | 68.85 | 79.38 | 16.7 |
| 55mm (2.162) | 6.35 | 77.8 | 159 | 54 | 64 | 17.4 | 100 | 79.4 | 88.9 | 16.7 |
| 60mm (2.362) | 6.35 | 81 | 165 | 54 | 64 | 17.4 | 104. 8 | 85.73 | 95.25 | 16.7 |
| 65mm (2.560) | 6.35 | 85 | 165 | 54 | 64 | 17.4 | 112. 8 | 88.9 | 98.4 | 16.7 |
| 70mm (2.756) | 6.35 | 90.5 | 197 | 54 | 64 | 17.4 | 112. 8 | 92.08 | 104.7 7 | 16.7 |
| 75mm (2.953) | 6.35 | 96.8 | 203 | 54 | 64 | 17.4 | 125. 4 | 100 | 111.1 | 16.7 |
| 80mm (3.150) | 7.14 | 106. 4 | 210 | 62 | 72 | 20.6 | 131. 8 | 108 | 120.6 5 | 20.6 |
| 87mm (3.425) | 7.14 | 112. 7 | 216 | 62 | 72 | 20.6 | 138. 1 | 114.3 | 127 | 20.6 |
| 90mm (3.543) | 7.14 | 115. 9 | 219 | 62 | 72 | 20.6 | 141. 3 | 117.5 | 130.2 | 20.6 |

Shanghai Trisun Parts Manufacture Co.,Ltd.

Head office in Shanghai:

Room 05-06, 16th Floor, Hongjia Building, No.388 Fushan Rd. (Near Xiangcheng Rd.), Pudong, Shanghai, China.

Post Code: 200122

Tel: +86-21-58355541,+86-21-58353145,+86-21-58353343

Fax: +86-21-58353141

E-mail: trisunseal@yahoo.com.cn

| | | | | | | | | | | |
|------------------|------|-----------|------|------|------|------|-----------|------------|------------|------|
| 95mm (3.740) | 7.14 | 117. 5 | 222 | 62 | 72 | 20.6 | 144. 5 | 119.0 5 | 130.1 8 | 20.6 |
| 100mm (3.937) | 7.14 | 125. 4 | 224 | 62 | 72 | 20.6 | 147. 6 | 127 | 136.5 2 | 20.6 |
| 120mm (4.724) | 7.14 | 143. 7 | 248 | 62 | 72 | 20.6 | 176. 2 | 146.0 5 | 158.7 5 | 20.6 |
| 125mm (4.921) | 9.5 | 157. 2 | *273 | 77.8 | 96.8 | 23.8 | 185. 7 | 160.3 | 171.4 | 23.4 |

Shanghai Trisun Parts Manufacture Co.,Ltd.

Head office in Shanghai:

Room 05-06, 16th Floor, Hongjia Building, No.388 Fushan Rd. (Near Xiangcheng Rd.), Pudong, Shanghai, China.

Post Code: 200122

Tel: +86-21-58355541,+86-21-58353145,+86-21-58353343

Fax: +86-21-58353141

E-mail: trisunseal@yahoo.com.cn