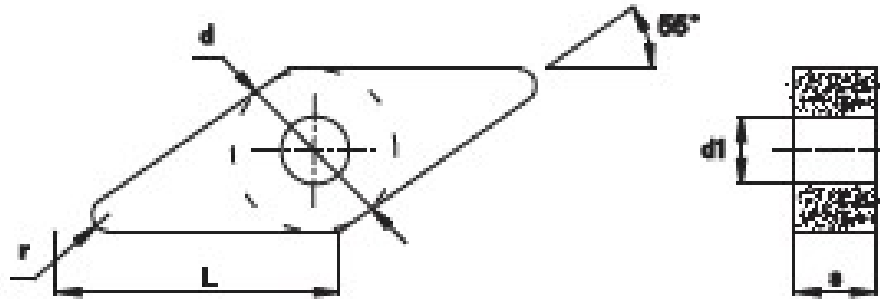




55° Elmas Indexable Insert

DN□□



Profile	Type	Dimension(mm)					Material grade	
		L≈	d	s	d ₁	r	GG71	GG83
	DNMA110412	11.6	9.526	4.76	3.81	1.2	●	○
	DNMA110416					1.6	●	○
	DNMA110424					2.4	●	○
	DNMA150404	15.5	12.7	4.76	5.16	0.4	●	○
	DNMA150408					0.8	●	○
	DNMA150412					1.2	●	○
	DNMA150604	15.5	12.7	6.35	5.16	0.4	●	○
	DNMA150608					0.8	●	○
	DNMA150612					1.2	●	○
DNMA150616	1.6					●	○	
	DNMG110404-GM	11.6	9.525	4.76	3.81	0.4	●	○
	DNMG110408-GM					0.8	●	○
	DNMG110412-GM					1.2	●	○
	DNMG150404-GM	15.5	12.7	4.78	5.16	0.4	●	○
	DNMG150408-GM					0.8	●	○
	DNMG150412-GM					1.2	●	○
	DNMG150604-GM	15.5	12.7	6.35	5.16	0.4	●	○
	DNMG150608-GM					0.8	●	○
	DNMG150612-GM					1.2	●	○
	DNMG150616-GM					1.6	●	○

DC□□

Shanghai Trisun Parts Manufacture Co.,Ltd.

Şangay Merkez Ofis:

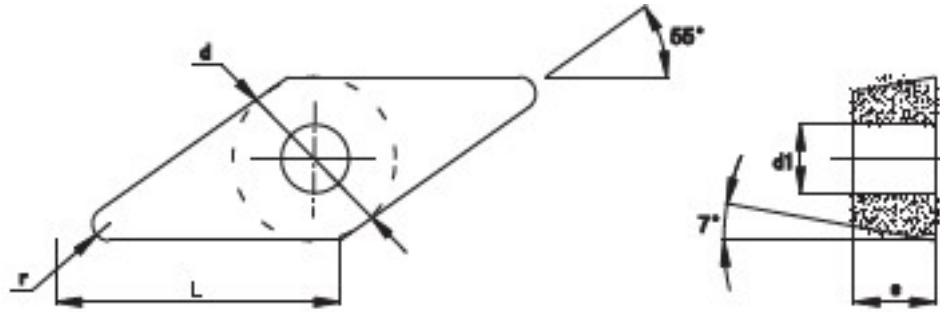
Room 05-06, 16th Floor, Hongjia Building, No.388 Fushan Rd. (Near Xiangcheng Rd.), Pudong, Shanghai, China.

Posta Kodu: 200122

Tel: +86-21-58355541,+86-21-58353145,+86-21-58353343


Fax: +86-21-58353141

E-mail: trisun24@trisunltd.com



Profile	Type	Dimension(mm)					Material grade		
		L≈	d	s	d ₁	r	GG03	GG83	
	DCMT070202-GM1	7.8	6.35	2.38	2.8	0.2	●	○	
	DCMT070204-GM1					0.4	●	○	
	DCMT070202-GM1					0.8	●	○	
		DCMT11T302-GM1	11.6	9.525	3.97	4.4	0.2	●	○
		DCMT11T304-GM1					0.4	●	○
		DCMT11T308-GM1					0.8	●	○
		DCMT11T312-GM1					1.2	●	○
	DCMT070202-GM2	7.8	6.35	2.38	2.8	0.2	●	○	
	DCMT070204-GM2					0.4	●	○	
	DCMT070208-GM2					0.8	●	○	
		DCMT11T302-GM2	11.6	9.525	3.97	4.4	0.2	●	○
		DCMT11T304-GM2					0.4	●	○
		DCMT11T308-GM2					0.8	●	○
		DCMT11T312-GM2					1.2	●	○

DP□□(α = 11 °)

Profile	Type	Dimension(mm)					Material grade	
		L≈	d	s	d ₁	r	GG03	GG83
	DPMT070202-MF	7.8	6.35	2.38	2.8	0.2	●	○
	DPMT070204-MF					0.4	●	○
	DPMT11T302-MF	11.6	9.525	3.97	4.4	0.2	●	○
	DPMT11T304-MF					0.4	●	○
	DPMT11T308-MF					0.8	●	○

Shanghai Trisun Parts Manufacture Co.,Ltd.

Şangay Merkez Ofis:

Room 05-06, 16th Floor, Hongjia Building, No.388 Fushan Rd. (Near Xiangcheng Rd.), Pudong, Shanghai, China.

Posta Kodu: 200122

Tel: +86-21-58355541,+86-21-58353145,+86-21-58353343

Fax: +86-21-58353141

E-mail: trisun24@trisunltd.com