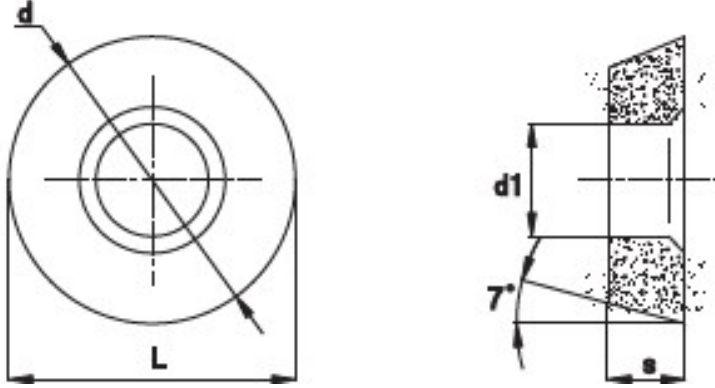






Yuvarlak Indexable Insert

RC□□



Profil	Tip	Boyut(mm)					Materyal Sinifi		
		L≈	d	s	d ₁	r	GG87	GG83	GG26
	RCMT0803MO-GF	8	8	3.18	2.26		●	○	
	RCMT1003MO-GF	10	10	3.18	3.81		●	○	
	RCMT1204MO-GF	12	12	4.76	4.4		●	○	
	RCMT1606MO-GF	16	16	6.35	5.5		●	○	
	RCMT0803MO-GR	8	8	3.18	2.26		●	○	
	RCMT1003MO-GR	10	10	3.18	3.81		●	○	
	RCMT1204MO-GR	12	12	4.78	4.4		●	○	
	RCMT1606MO-GR	16	16	6.35	5.5		●	○	
	RCMT10600O-GR	19.05	19.05	6.35	6.5			○	●
	RCMX1003MO	10	10	3.18	3.6		●	○	
	RCMX 120400	12.7	12.7	4.76	4.4		●	○	
	RCMX1606MO	16	16	6.35	5.2		●	○	
	RCMX190600	19.05	19.05	6.35	6.5			○	●
	RCMX250700	25.5	25.5	7.94	7.2			○	●
	RCMX3209MO	32	32	9.52	9.5			○	●
	RCMX1204MO-GR1	12	12	4.76	4.4		●	○	
	RCMX1606MO-GR1	16	16	6.35	5.2		●	○	
	RCMX190600-GR1	19.05	19.05	6.35	6.5		●	○	
	RCMX2006MO-GR1	20	20	6.35	6.5			○	●
	RCMX2507MO-GR1	25	25	7.94	7.2			○	●
	RCMX3010MO-GR1	30	30	9.6	10			○	●
	RCMX3209MO-GR1	32	32	9.52	9.7			○	●

Shanghai Trisun Parts Manufacture Co.,Ltd.

Şangay Merkez Ofis:

Room 05-06, 16th Floor, Hongjia Building, No.388 Fushan Rd. (Near Xiangcheng Rd.), Pudong, Shanghai, China.



Posta Kodu: 200122

Tel: +86-21-58355541,+86-21-58353145,+86-21-58353343

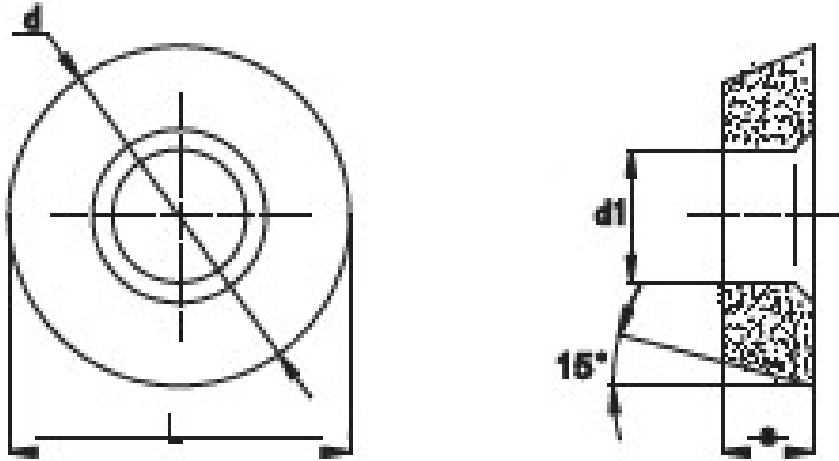
Fax: +86-21-58353141


E-mail: trisun24@trisunltd.com

RC□□

Profil	Tip	Boyut(mm)					Materyal Sinifi		
		L≈	d	s	d ₁	r	GG87	GG83	GG26
	RCMX2507MO-GR2	25	25	7.94	7.2			○	●
	RCMX3209MO-GR2	32	32	9.52	9.7			○	●
	RCMX5009MO-GR2	50.8	50.08	9.52	9.7			○	●
	RCKT0803MO	8	8	3.18	2.26		●	○	
	RCKT1003MO	10	10	3.18	2.26		●	○	
	RCKT1204MO	12	12	4.76	4.05		●	○	
	RCKT1606MO	16	16	6.35	5.5		●	○	
	RCKT190600	19.05	19.05	6.35	6.5		●	○	

RD□□



Profil	Tip	Boyut(mm)					Materyal Sinifi	
		L≈	d	s	d ₁	r	GG87	GG83
	RDMT0803MO	8	8	3.18	2.26		●	○
	RDMT1003MO	10	10	3.18	3.81		●	○
	RDMT10T3MO	10	10	3.97	3.81		●	○
	RDMT1204MO	12	12	4.76	4.4		●	○
	RDMT1605MO	16	16	5.56	5.5		●	○
	RDMT1606MO	16	16	6.35	5.5		●	○

Shanghai Trisun Parts Manufacture Co.,Ltd.

Şangay Merkez Ofis:

Room 05-06, 16th Floor, Hongjia Building, No.388 Fushan Rd. (Near Xiangcheng Rd.), Pudong, Shanghai, China.

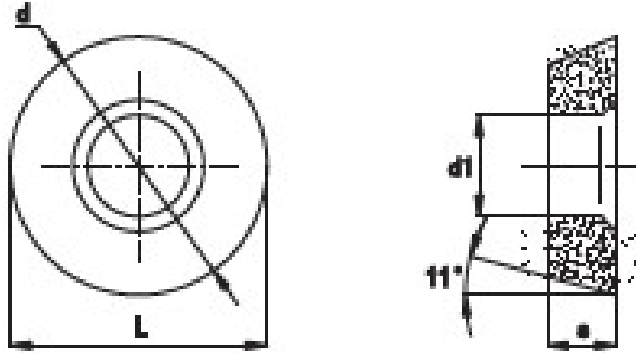
Posta Kodu: 200122


Tel: +86-21-58355541,+86-21-58353145,+86-21-58353343

Fax: +86-21-58353141

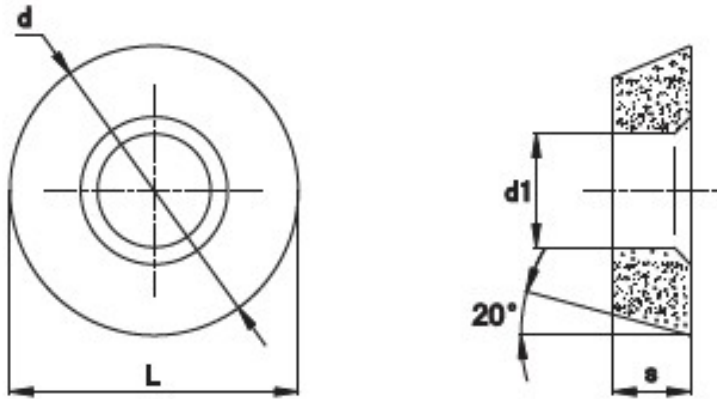
E-mail: trisun24@trisunltd.com


RP□□



Profil	Tip	Boyut(mm)					Materyal Sinifi	
		L≈	d	s	d ₁	r	GG87	GG83
	RPMT0803MO	8	8	3.18	2.26		●	○
	RPMT1003MO	10	10	3.18	3.81		●	○
	RPMT10T3MO	10	10	3.97	3.81		●	○
	RPMT1204MO	12	12	4.76	4.4		●	○
	RPMT1606MO	16	16	6.35	5.5		●	○
	RPMT1906MO	19.05	19.05	6.35	6.5		●	○

RE□□



Profil	Tip	Boyut(mm)					Materyal Sinifi	
		L≈	d	s	d ₁	r	GG87	GG83
	REMT0803MO	8	8	3.18	2.26		●	○
	REMT1003MO	10	10	3.18	3.81		●	○
	REMT1204MO	12	12	4.76	4.4		●	○
	REMT1606MO	16	16	6.35	5.5		●	○
	REMT2004MO	20	20	4.76	5.4		●	○

Shanghai Trisun Parts Manufacture Co.,Ltd.

Şangay Merkez Ofis:

Room 05-06, 16th Floor, Hongjia Building, No.388 Fushan Rd. (Near Xiangcheng Rd.), Pudong, Shanghai, China.

Posta Kodu: 200122

Tel: +86-21-58355541,+86-21-58353145,+86-21-58353343

Fax: +86-21-58353141

E-mail: trisun24@trisunltd.com