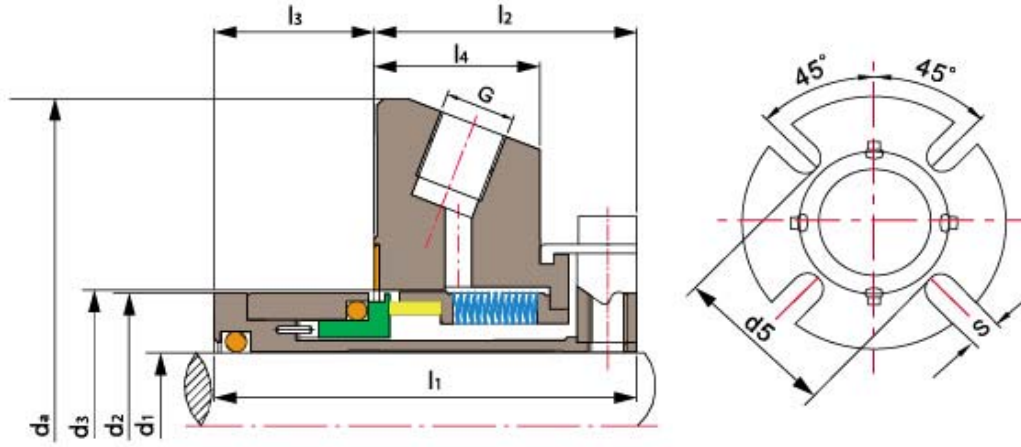


TSMB-B07 (TS 700) 25mm-100mm Metal Körüklü Salmastra



Çalışma Sınırları

Basınç: $\leq 2\text{MPa}$

Hız: $\leq 25\text{m/s}$

Isı: $-30^{\circ}\text{C} \sim +200^{\circ}\text{C}$

Devir Halkası (SiC/TC)

Sabit Halka (Karbon/SiC/TC)

İkincil Salmastra (VITON/Kapsüllü Halka)

Metal Körük (SUS316L/AM350/Inconel718/Titanyum)

Shanghai Trisun Parts Manufacture Co.,Ltd.

Şangay Merkez Ofis:

Room 05-06, 16th Floor, Hongjia Building, No.388 Fushan Rd. (Near Xiangcheng Rd.), Pudong, Shanghai, China.

Posta Kodu: 200122

Tel: +86-21-58355541, +86-21-58353145, +86-21-58353343

Fax: +86-21-58353141

E-mail: trisun24@trisunltd.com

Diğer Parçalar (300 Serisi Paslanmaz Çelik)

Boyut d (mm)	d ₁	d ₂	d ₃		d _a	l ₁	l ₂	l ₃	l ₄	S	G (Inches)	d ₅
			min	max								
25	25	43.0	44.0	51.0	105	67	42.4	24.6	25.4	14	1/4"	62
28	28	46.0	47.0	52.0	105	67	42.4	24.6	25.4	14	1/4"	62
30	30	48.0	49.0	56.0	105	67	42.4	24.6	25.4	14	1/4"	65
32	32	49.8	51.0	57.0	110	67	42.4	24.6	25.4	14	1/4"	67
33	33	49.8	51.0	57.0	110	67	42.4	24.6	25.4	14	1/4"	67
35	35	53.0	54.0	61.5	113	67	42.4	24.6	25.4	14	1/4"	71
38	38	56.0	57.0	66.0	123	67	42.4	24.6	25.4	14	1/4"	76
40	40	58.0	59.0	68.0	123	67	42.4	24.6	25.4	16	3/8"	76
42	42	60.5	61.5	69.5	133	67	42.4	24.6	25.4	16	3/8"	80
43	43	60.5	61.5	70.5	133	67	42.4	24.6	25.4	16	3/8"	80
45	45	62.5	64.0	73.0	138	67	42.4	24.6	25.4	16	3/8"	83
48	48	65.6	67.0	75.0	138	67	42.4	24.6	25.4	16	3/8"	85
50	50	68.0	69.0	78.0	148	67	42.4	24.6	25.4	16	3/8"	88
53	53	72.0	73.0	83.0	148	67	42.4	24.6	25.4	18	3/8"	98
55	55	73.0	74.0	87.0	148	67	42.4	24.6	25.4	18	3/8"	97
60	60	78.0	79.0	91.0	157	67	42.4	24.6	25.4	18	3/8"	102
65	65	83.0	84.5	98.5	163	67	42.4	24.6	25.4	18	3/8"	109
70	70	93.0	95.0	108.0	178	67	42.4	24.6	25.4	18	3/8"	118
75	75	100.0	101.6	118.0	190	84	57.4	26.6	28.0	18	3/8"	129
80	80	106.4	108.0	124.0	195	84	57.4	26.6	28.0	18	3/8"	135
85	85	109.5	111.1	128.0	198	84	57.4	26.6	28.0	22	3/8"	139
90	90	115.9	117.5	135.0	205	84	57.4	26.6	28.0	22	3/8"	145
95	95	119.1	120.7	138.0	208	84	57.4	26.6	28.0	22	3/8"	148
100	100	125.4	127.0	144.0	218	84	57.4	26.6	28.0	22	3/8"	154

Shanghai Trisun Parts Manufacture Co.,Ltd.

Şangay Merkez Ofis:

Room 05-06, 16th Floor, Hongjia Building, No.388 Fushan Rd. (Near Xiangcheng Rd.), Pudong, Shanghai, China.

Posta Kodu: 200122

Tel: +86-21-58355541,+86-21-58353145,+86-21-58353343

Fax: +86-21-58353141

E-mail: trisun24@trisunltd.com