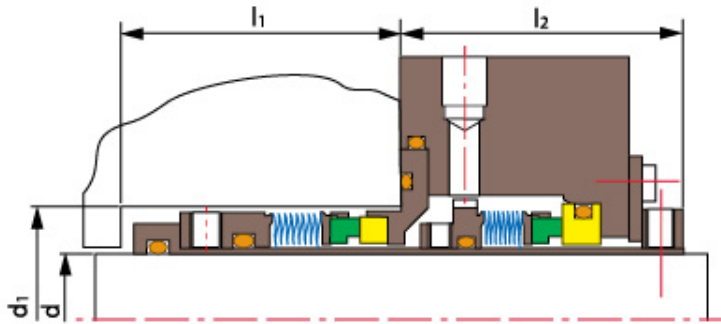
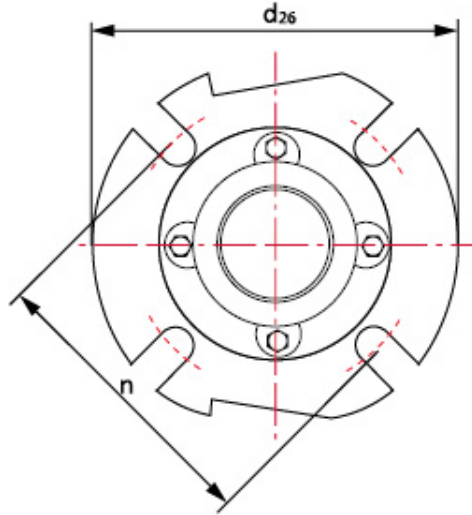
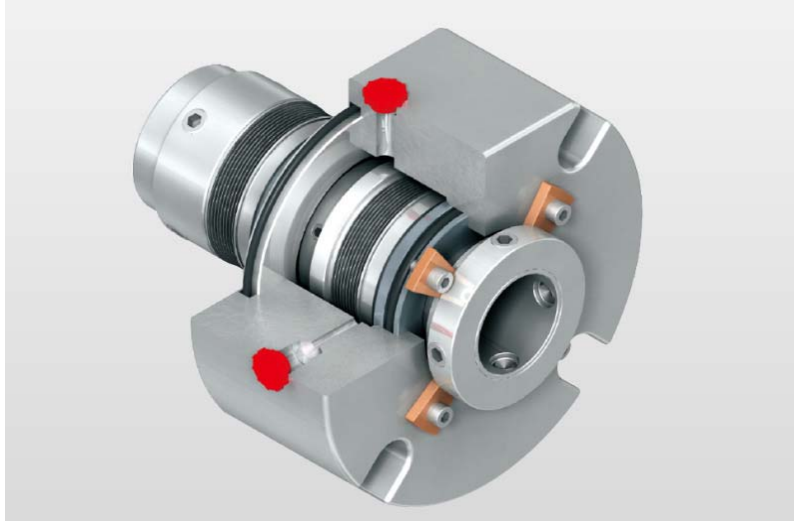


## TSMB-C03 1.000-2.500(inç) Metal Körüklü Salmastra



**Shanghai Trisun Parts Manufacture Co.,Ltd.**

**Şangay Merkez Ofis:**

Room 05-06, 16th Floor, Hongjia Building, No.388 Fushan Rd. (Near Xiangcheng Rd.), Pudong, Shanghai, China.

**Posta Kodu:** 200122

**Tel:** +86-21-58355541,+86-21-58353145,+86-21-58353343

**Fax:** +86-21-58353141

**E-mail:** [trisun24@trisunltd.com](mailto:trisun24@trisunltd.com)

**Çalışma Sınırları**Basınç:  $\leq 2\text{MPa}$ Hız:  $\leq 20\text{m/s}$ Isı:  $-30^{\circ}\text{C} \sim +204^{\circ}\text{C}$ 

Devir Halkası (SiC/Karbon/TC)

Sabit Halka (SiC/TC)

İkincil Salmastra (VITON/Kapsüllü Halka/PTFE)

Metal Körük (SUS316L/AM350/Inconel718/Titanyum/Hastelloy-C/Alaşım-20)

Diğer Parçalar (SUS304/SUS316/Titanyum/Hastelloy-C)

d (inc)	d <sub>26</sub> max	d <sub>1</sub>		l <sub>1</sub> min	l <sub>2</sub>	n		
		min	max			3/8"	1/2"	5/8"
1.000	4.130	1.750	1.880	2.030	2.060	2.900	\	\
1.125	4.250	1.750	1.880	2.030	2.060	2.900	\	\
1.250	4.250	2.000	2.130	2.060	2.130	3.020	\	\
1.375	4.250	2.000	2.190	2.060	2.030	3.250	\	\
1.500	4.500	2.250	2.380	2.250	2.130	3.500	3.630	\
1.625	5.000	2.380	2.500	2.210	2.130	3.560	3.690	\
1.750	5.500	2.500	2.560	2.340	2.130	3.630	3.750	\
1.875	5.500	2.630	2.690	2.340	2.130	3.750	3.880	\
2.000	5.500	2.750	2.940	2.340	2.130	4.010	4.130	\
2.125	6.000	3.000	3.190	2.400	2.130	4.250	4.380	4.500
2.250	6.250	3.130	3.190	2.400	2.130	4.250	4.380	4.500
2.375	6.250	3.250	3.440	2.310	2.250	4.380	4.500	4.630
2.500	6.500	3.380	3.440	2.410	2.190	4.560	4.810	4.810

**Shanghai Trisun Parts Manufacture Co.,Ltd.****Şangay Merkez Ofis:**

Room 05-06, 16th Floor, Hongjia Building, No.388 Fushan Rd. (Near Xiangcheng Rd.), Pudong, Shanghai, China.

**Posta Kodu:** 200122**Tel:** +86-21-58355541,+86-21-58353145,+86-21-58353343**Fax:** +86-21-58353141**E-mail:** [trisun24@trisunltd.com](mailto:trisun24@trisunltd.com)