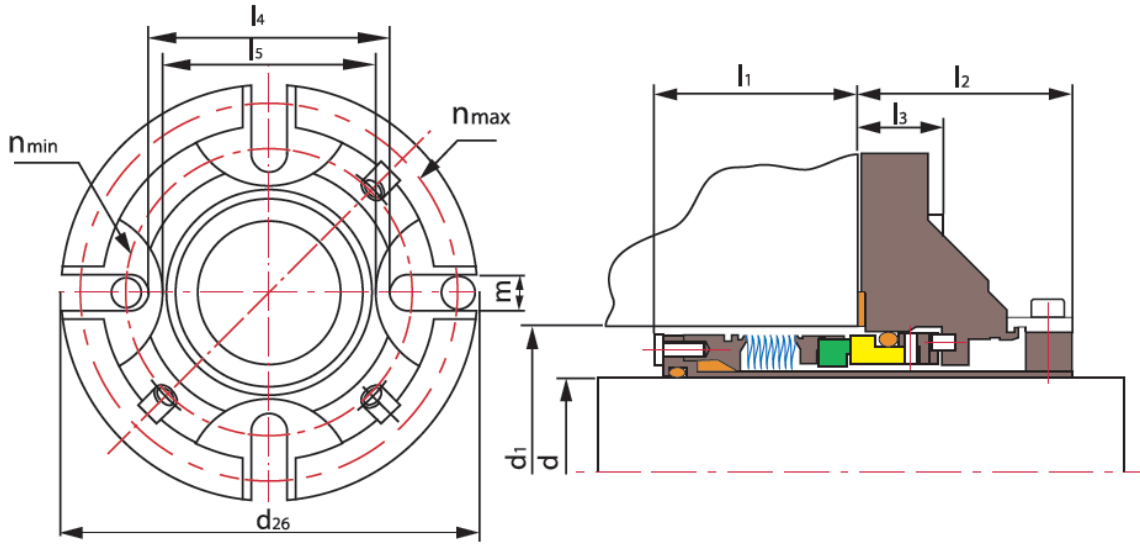


TSMB-A04 24mm-100mm Metal Körüklü Salmastra



Çalışma Sınırları

Basınç: $\leq 2\text{MPa}$

Hız: $\leq 20\text{m/s}$

Isı: $-30^{\circ}\text{C} \sim +204^{\circ}\text{C}$

Devir Halkası (SiC/Karbon/TC)

Sabit Halka (SiC/TC)

İkincil Salmastra (VITON/Kapsüllü Halka/PTFE/Esnek Karbon)

Shanghai Trisun Parts Manufacture Co.,Ltd.

Şangay Merkez Ofis:

Room 05-06, 16th Floor, Hongjia Building, No.388 Fushan Rd. (Near Xiangcheng Rd.), Pudong, Shanghai, China.

Posta Kodu: 200122

Tel: +86-21-58355541,+86-21-58353145,+86-21-58353343

Fax: +86-21-58353141

E-mail: trisun24@trisunltd.com

Metal K r k (SUS316L/AM350/Inconel718/Titanyum/Hastelloy-C/Alařım-20)

Dięer Paralar (SUS304/SUS316/Titanyum/Hastelloy-C)

d (mm)	d ₂₆	l ₄	l ₅	l ₃	d ₁		n		m	l ₁	l ₂
					min	max	min	max	max		
24	104.8	54.0	49.2	13.2	41.0	49.0	67.0	90.5	12	38.9	40.5
25	104.8	54.0	49.2	13.2	41.0	49.0	67.0	90.5	12	38.9	40.5
28	108.0	57.2	52.4	13.2	44.0	52.3	70.3	93.6	12	38.9	40.5
30	111.0	60.4	55.6	13.2	46.0	55.5	73.5	96.8	12	38.9	40.5
32	111.0	60.4	55.6	13.2	48.0	55.5	73.5	96.8	12	38.9	40.5
33	111.0	60.4	55.6	13.2	49.0	55.5	73.5	96.8	12	38.9	40.5
35	111.0	63.5	58.8	13.2	51.0	57.5	76.6	96.8	12	38.9	40.5
38	127.0	71.5	65.0	16.4	57.2	60.4	85.7	114.3	12	42.9	44.5
40	127.0	71.5	65.0	16.4	58.0	60.4	85.7	114.3	12	42.9	44.5
43	139.7	81.0	71.4	16.4	61.0	69.9	95.3	127.0	12	42.9	44.5
45	139.7	81.0	71.4	16.4	63.5	69.9	95.3	127.0	12	42.9	44.5
48	139.7	81.0	71.4	16.4	66.7	73.0	95.3	127.0	12	42.9	44.5
50	152.4	90.5	77.8	16.4	68.0	76.2	104.8	139.7	12	44.5	44.5
3	152.4	90.5	77.8	16.4	71.0	76.2	104.8	139.7	12	44.5	44.5
55	165.1	96.8	84.1	16.4	74.0	82.5	114.3	149.2	16	44.5	44.5
58	165.1	96.8	84.1	16.4	76.2	82.6	114.3	149.2	16	44.5	44.5
60	165.1	96.8	84.1	16.4	79.4	85.7	114.3	149.2	16	44.5	44.5
63	177.8	109.5	96.8	19.6	85.8	92.1	127.0	160.3	16	51.6	47.7
65	177.8	109.5	96.8	19.6	88.9	95.3	127.0	160.3	16	51.6	47.7
68	177.8	109.5	96.8	19.6	92.1	98.4	127.0	160.3	16	51.6	47.7
70	177.8	109.5	96.8	19.6	92.1	98.4	127.0	160.3	16	51.6	47.7
75	190.5	125.4	108.0	19.6	98.5	108.0	142.9	173.0	16	54.6	47.7
80	190.5	125.4	108.0	19.6	101.6	111.1	142.9	173.0	16	54.6	47.7
85	203.2	135.0	117.5	19.6	108.0	117.5	155.6	182.5	20	54.6	47.7
90	215.9	150.8	127.0	19.6	114.3	127.0	171.5	195.2	20	54.6	47.7
95	215.9	150.8	127.0	19.6	117.5	130.2	171.5	195.2	20	54.6	47.7
100	228.6	168.3	136.5	19.6	123.9	139.7	188.9	207.9	20	54.6	47.7

Shanghai Trisun Parts Manufacture Co.,Ltd.

řangay Merkez Ofis:

Room 05-06, 16th Floor, Hongjia Building, No.388 Fushan Rd. (Near Xiangcheng Rd.), Pudong, Shanghai, China.

Posta Kodu: 200122

Tel: +86-21-58355541,+86-21-58353145,+86-21-58353343

Fax: +86-21-58353141

E-mail: trisun24@trisunltd.com